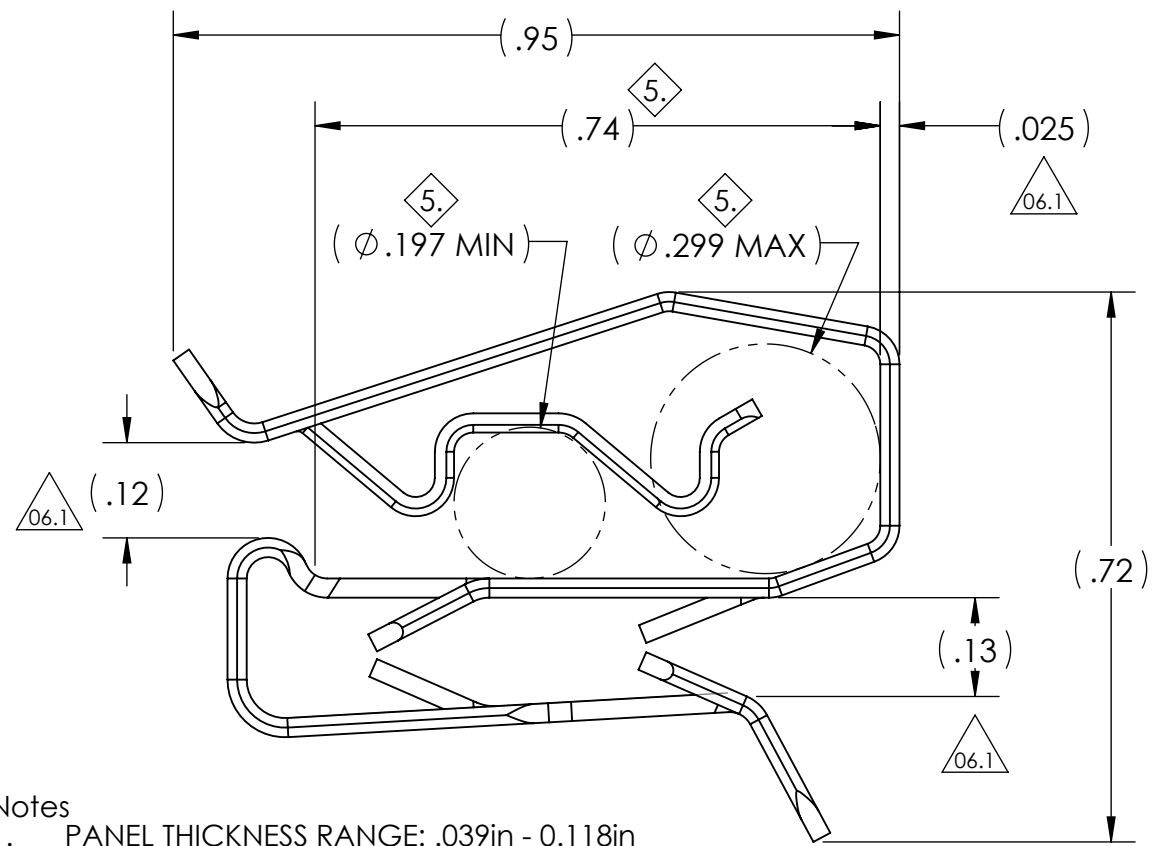
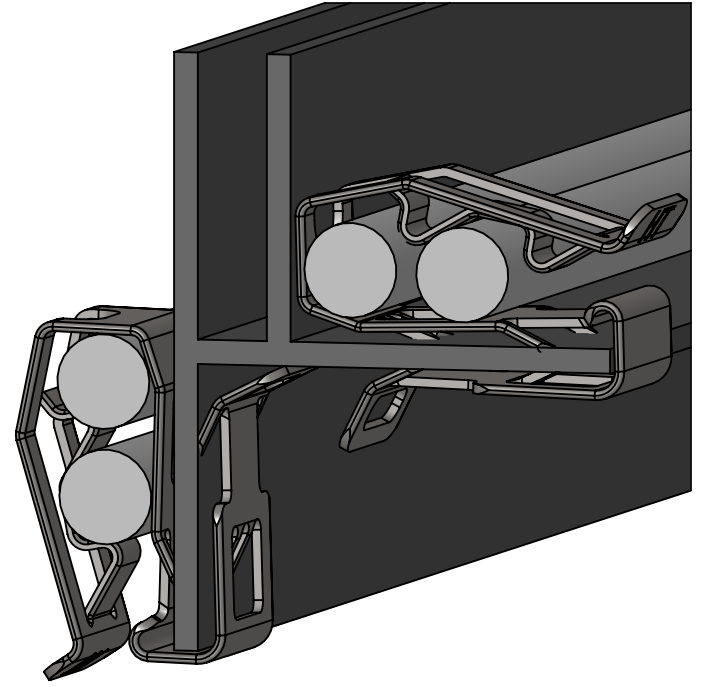
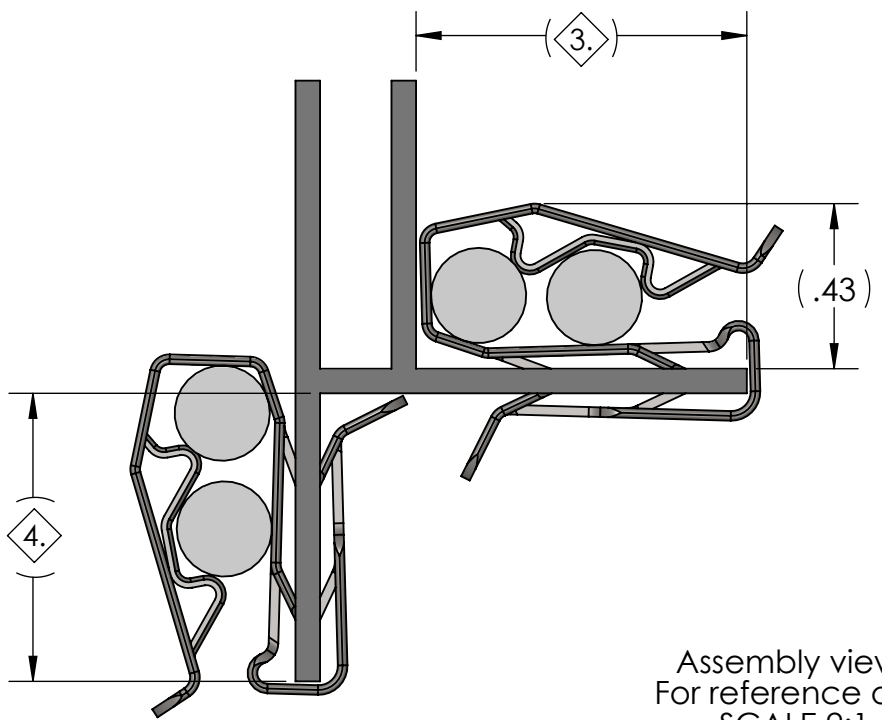
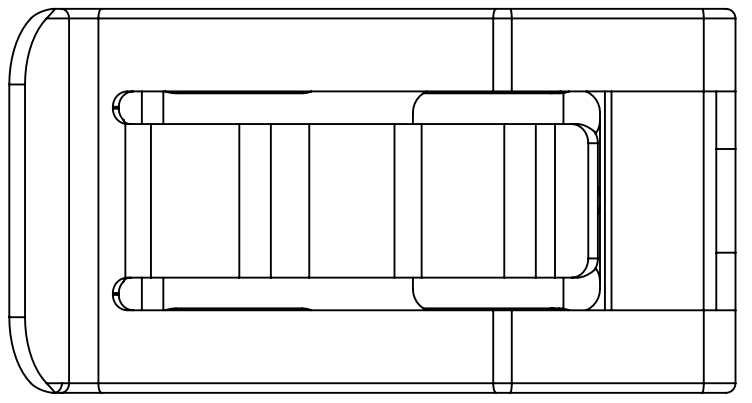
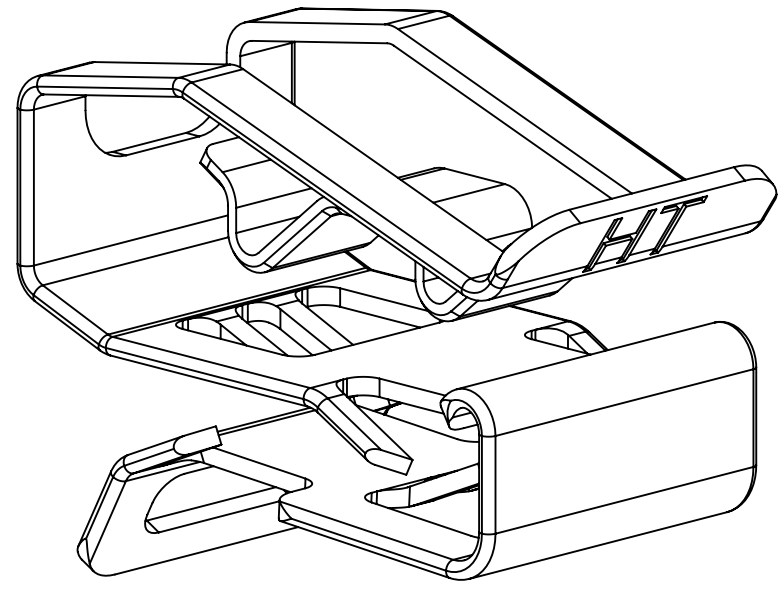
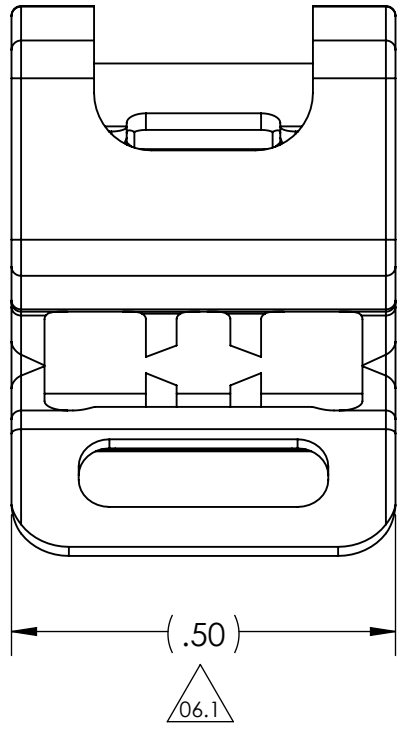



Revision level			Revision Record	Changed	Date	Approved	Date
Drawing	State	Part					
06.1	Design Release	-	SEE ECN# 017215	Mann	10/04/2022	Toll	10/06/2022



Assembly views
For reference only
SCALE 2:1



- Notes
1. PANEL THICKNESS RANGE: .039in - 0.118in
 2. CABLE DIAMETER RANGE: .197in - .299in
 3. INSIDE MIN PANEL DEPTH: .861"
 4. OUTSIDE MIN PANEL DEPTH: .750"
 5. FOR BUNDLE SIZE REFERENCE ONLY

Notes	Material 304 3/4 HARD STAINLESS STEEL ROUND EDGE	Units: inches Dimension without tolerances details to: .xxxx = ±.0005 .xxx = ±.005 .xx = ±.01 .x = ±.03 None = ±.06 ∠ = ±0.5° Dimension Formatted in [mm]	The copyright of this drawing is reserved by HellermannTyton. It is issued on condition that it is not reproduced, copied, or disclosed to a third party, either wholly or in part, without the consent of HellermannTyton.	Drawn	WPT	5/4/12	Article/Type-No	MSC2	Scale	4:1	
				Approved	WPT	5/4/12	Title	METAL SOLAR CLIP	Project Number	PRP11-0158	
				 North America Email: corp@htamericas.com Web: www.hellermann.tyton.com			Drawing-No	11-0158-012-CSU	Production : Phase	Format	B
									Sheet	1/1	