

LORENTZ S1 - Tank Full Switch

Accessory to automate the filling of tanks

Description

The **S1-Tank Full Switch** is used to control the water level when filling a tank or pond. When the water level in the tank reaches the maximum, the LORENTZ S1 Controller will stop the pump and indicates tank full LED.

The weight on the cable can be adjusted to switch on and off at different levels.

Features

- Reliable water level detection
- Simple plug-in installation
- Trouble-free operation
- Not sensitive to rotation
- Corrosion-free



Technical Data

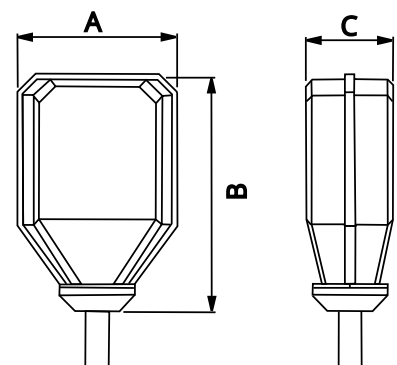
Sensor type	Mechanical float switch
Operating temperature range	-10 °C to 55 °C [14 °F to 131 °F]
Float enclosure class	IP 68
Float material	Polypropylene
Length of cable	10 m [33 ft]
Cable size	2x 0.75 mm ² - AWG 19
Plug type	M16 Female
Plug enclosure class	IP 67
Standards requirements	CE

Find more about the Tank Full Switch [here](#)



Dimensions and weight

A	84 mm [3.3 in]
B	122 mm [4.8 in]
C	46 mm [1.8 in]
Net weight	1.2 kg [2.6 lb]



Order and Packaging information

Item number	19-001550
Product name	S1 tank full switch with 10m/33ft cable
Packed gross weight	1.36 kg [3.0 lb]
Packaging dimensions [LxWxH]	220 x 205 x 70 mm [8.7 x 8.1 x 2.8 in]
Packed volume	0.003 m ³ [0.106 ft ³]

