

MULTIBLOC® 3.ST8

Size 3, 630A, 690VAC, Design for Bottom Fitting, 3-,4-pole

IEC FUSE SWITCH DISCONNECTORS

NH FUSE SWITCH DISCONNECTOR



The production programme of MULTIBLOC® series 3.ST8 comprises NH fuse switch disconnectors for 630A.

They are designed for bottom fitting/panel installation and are available in triple pole and quadruple pole units.

For installation of MULTIBLOC® NH fuse switch disconnectors in distribution units with central cover, respective covers are used to obtain a uniform profile in height and length.

MULTIBLOC® size 3 are designed for NH fuse-links in accordance with IEC/EN 60269-2, VDE 0636-2, size 3, 630A.

MULTIBLOC® offers the user the possibility of fast and easy installation as well as a high degree of security during installation and maintenance.

TECHNICAL DATA OVERVIEW

Voltage AC	690 VAC
Amper (A)	630 A
Size per Standard	3
SCCR	Ue = AC 400 V; Ie = 630 A 80kA Ue = AC 500 V; Ie = 630 A 80kA Ue = AC 690 V; Ie = 500 A 50kA
Mounting	bottom fitting/panel
Switchability	3-,4-pole switching

FEATURES & BENEFITS

- Touch protection IP 20 - when fuse link is in test mode IP rating is maintained
- Padlocking of switch door cover - optional
- Parking position of switch operating cover even with fuse-links inserted
- Indicating switch for switch door position - optional
- Electronic or electro-mechanic fuse monitoring - optional
- Modular system of cover - cover for cable termination area can be extended as required
- Varieties of cable termination: screw, bolt, clamp strap
- Installation on to 60 mm and 100 mm bus bar system with adapter
- Safe on load connection/disconnection in accordance with IEC 60947-3

APPLICATIONS

- Panel boards for industrial use
- Feeder pillars for industrial use
- Meter distribution units
- Measuring transformer cabinets
- Transmitting stations for telecommunications

STANDARDS

- IEC/EN 60 947-3
For NH-fuse links size 3 in accordance with IEC/EN 60 269-2, VDE 0636-2



MULTIBLOC® 3.ST8

Size 3, 630A, 690VAC, Design for Bottom Fitting, 3-,4-pole

PRODUCT RANGE



1.001.125



1.002.713



1.001.150

MULTIBLOC® 3.ST8 size 3 630A, 690VAC bottom fitting, triple pole

Catalog number	Item number	Poles	Cable termination components	Design	Package	Weight
1.001.125	C1002135	3	6 M12 terminal screws	-	1 piece	4.94 kg
1.001.241	L1023073	3	3 clamp straps 150–300 mm ² 3 M12 terminal screws	-	1 piece	5.13 kg
1.002.713	M1023074	3	6 M12 terminal screws	with electronic fuse monitoring ESÜ installed (rated voltage=525VAC)	1 piece	5.5 kg
1.001.150	K1023072	3	6 M12 terminal screws	with electro-mechanic fuse monitoring MZS installed (galvanic isolation)	1 piece	5.74 kg



1.001.904



1.002.661

MULTIBLOC® 3.ST8 size 3 630A, 690VAC bottom fitting, quadruple pole

Catalog number	Item number	Poles	Cable termination components	Design	Package	Weight
1.001.904	N1023075	4	8 M12 terminal screws	-	1 piece	7.44 kg
1.002.661	P1023076	4	8 M12 terminal screws	with ready fitted special solid link as neutral conductor in pole 4 for leading and lagging switching	1 piece	7.71 kg

MERSEN reserves the right to change, update or correct, without notice, any information contained in this datasheet.

MULTIBLOC® 3.ST8

Size 3, 630A, 690VAC, Design for Bottom Fitting, 3-,4-pole

TECHNICAL DATA IN ACCORDANCE WITH EN / IEC 60947

	3.ST8 triple pole	3.ST8 quadruple pole
Number of poles/phases	3	4
Size	3	3
Conventional free air thermal current with NH-fuse links I_{th}	630 A	630 A
Max. power dissipation of fuse links P_n	48 W	48 W
Conventional free air thermal current with solid links I_{th}	780 A	780 A
Max. power dissipation of solid links P_n	17,5 W	17,5 W
Utilization category to IEC/EN 60947-3 $U_e = AC 400 V; I_e = 630 A$ $U_e = AC 500 V; I_e = 630 A$ $U_e = AC 690 V; I_e = 500 A$	AC 23 B AC 22 B AC 21 B	AC 23 B AC 22 B AC 21 B
Rated operational voltage U_e	690 V	690 V
Rated insulation voltage U_i	1000 V	1000 V
Rated impulse withstand voltage U_{imp}	12 kV	12 kV
Rated frequency	50 ... 60 Hz	50 ... 60 Hz
Degree of protection	IP 20	IP 20
Degree of pollution	3	3
Rated duty	uninterrupted duty	uninterrupted duty
Rated conditional short-circuit current with fuse links $U_e = AC 400 V; I_e = 630 A$ $U_e = AC 500 V; I_e = 630 A$ $U_e = AC 690 V; I_e = 500 A$	80 kA 80 kA 50 kA	80 kA 80 kA 50 kA
Rated short circuit making capacity with solid links I_{cm}	18.6 kAsw	18.6 kAsw
Rated short-time withstand current I_{cw}	18 kA / 1 s	18 kA / 1 s
Power dissipation by I_{th} without NH-fuse links	53 W	53 W
Power dissipation by I_{th} 780A without solid links	81 W	81 W
Installation mode	bottom fitting	bottom fitting
Cable terminal connection		
Standard cable terminal	M12	M12
for cable lugs Cu max.	2 x 240 mm ²	2 x 240 mm ²
for cable lugs Al max.	2 x 300 mm ²	2 x 300 mm ²
for copper bars with max. dimensions	45 x 10 mm	45 x 10 mm

MERSEN reserves the right to change, update or correct, without notice, any information contained in this datasheet.

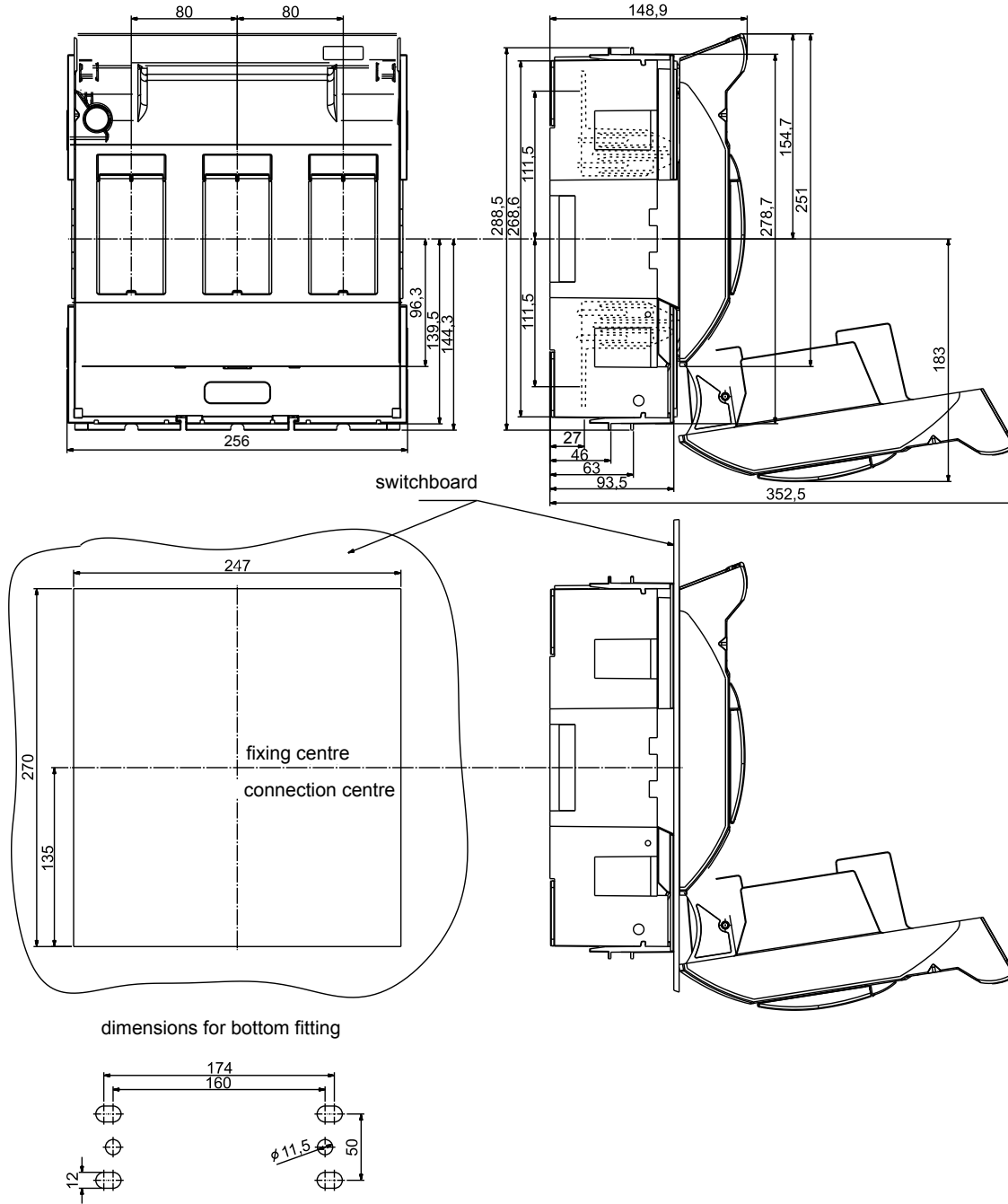
MULTIBLOC® 3.ST8

Size 3, 630A, 690VAC, Design for Bottom Fitting, 3-,4-pole

DIMENSIONS

MULTIBLOC® 3.ST8 NH-fuse switch disconnecter
triple pole design for bottom fitting

(M01141)



Dimensions in mm

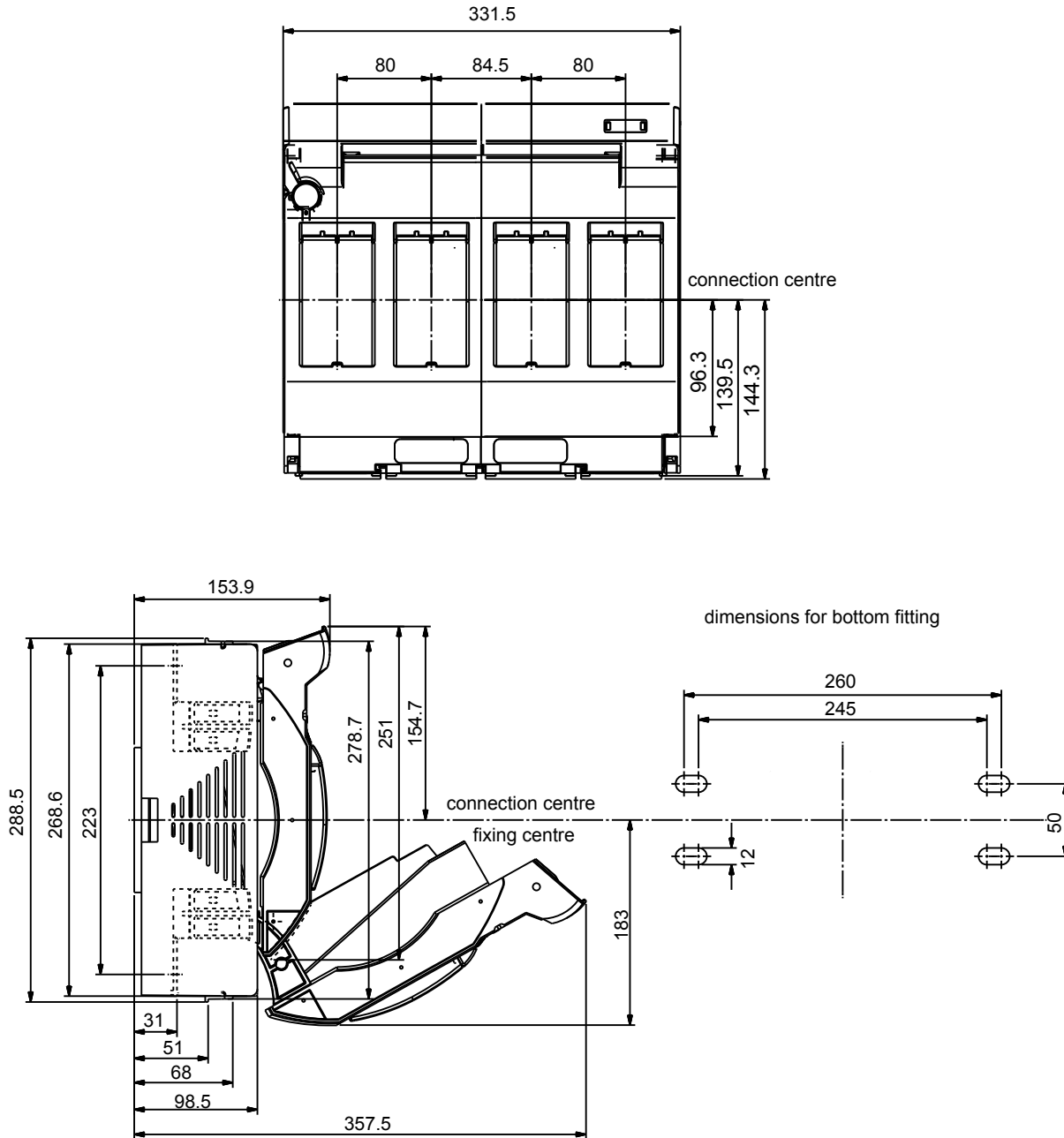
MERSEN reserves the right to change, update or correct, without notice, any information contained in this datasheet.

MULTIBLOC® 3.ST8

Size 3, 630A, 690VAC, Design for Bottom Fitting, 3-,4-pole

DIMENSIONS

MULTIBLOC® 3.ST8 NH-fuse switch disconnecter
quadruple pole design for bottom fitting (M01157-3)



Dimensions in mm

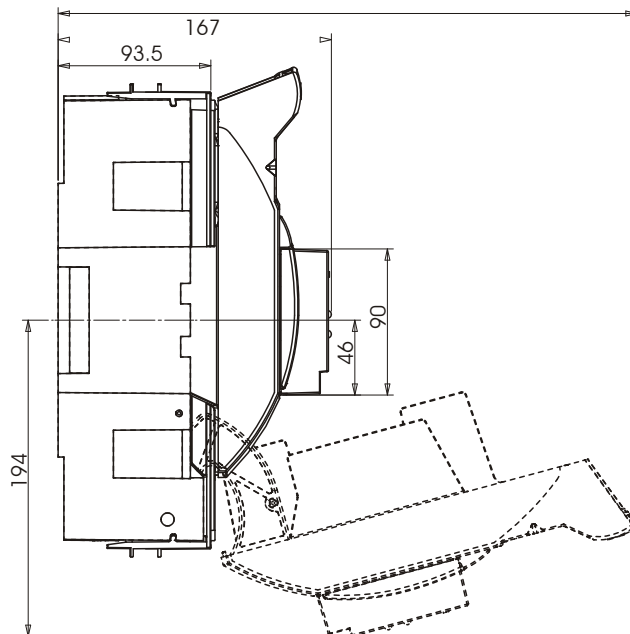
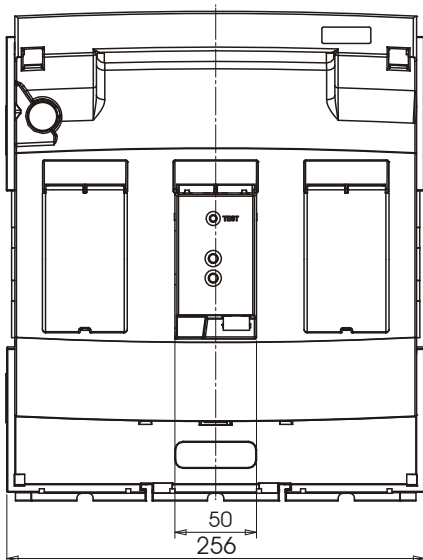
MULTIBLOC® 3.ST8

Size 3, 630A, 690VAC, Design for Bottom Fitting, 3-,4-pole

DIMENSIONS

MULTIBLOC® 3.ST8

triple pole with electronic fuse monitoring ESÜ (M01174-3)



Dimensions in mm

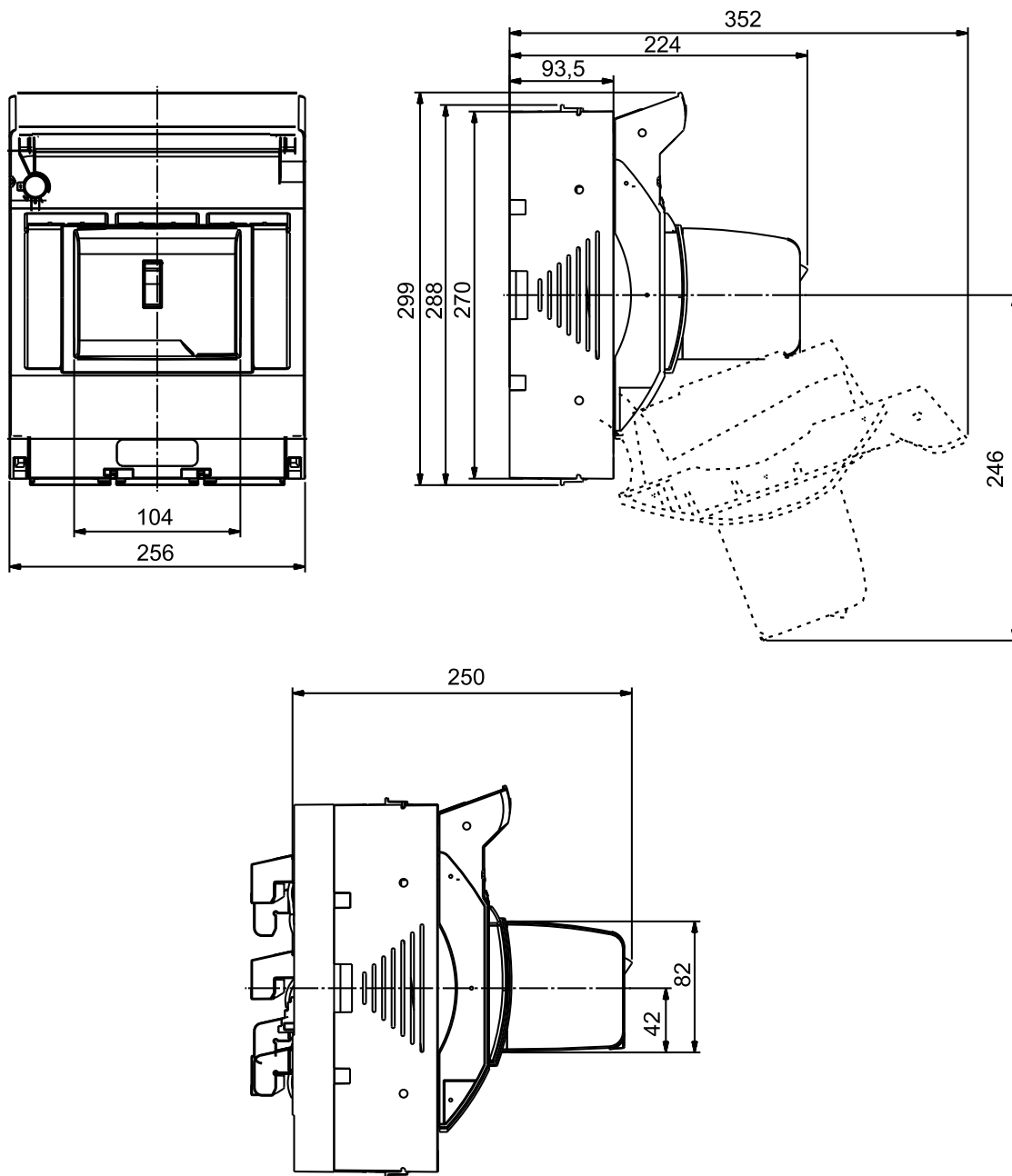
MULTIBLOC® 3.ST8

Size 3, 630A, 690VAC, Design for Bottom Fitting, 3-,4-pole

DIMENSIONS

MULTIBLOC® 3.ST8

triple pole with electro-mechanic fuse monitoring MZS (M01135-3)



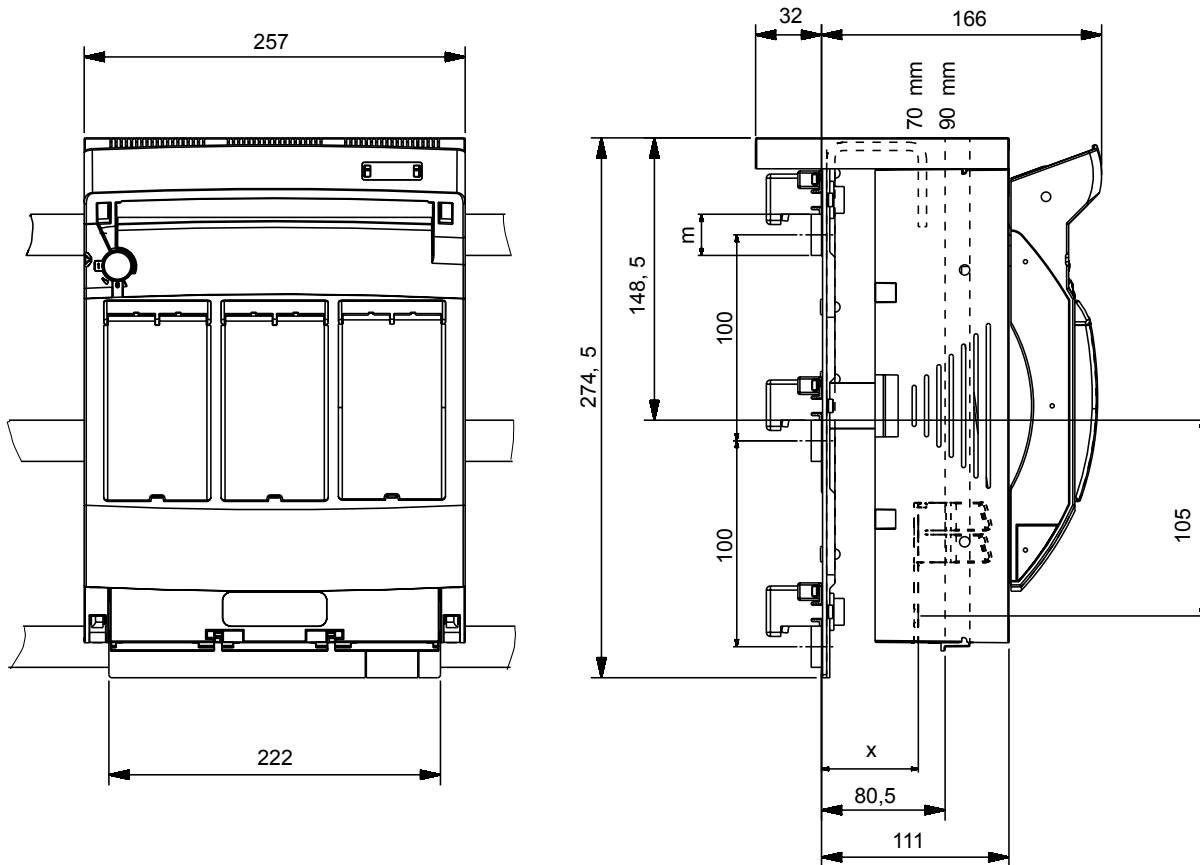
Dimensions in mm

MULTIBLOC® 3.ST8

Size 3, 630A, 690VAC, Design for Bottom Fitting, 3-,4-pole

DIMENSIONS

MULTIBLOC® bus bar adapter
with clamp terminal for 3.ST8 (M01151a-3)



m = max. 60 x 10

x = L1, L3 44.5
L2 39.5 (with accessory level adjustment art. no. 1.001.409 the same level as L1/L2 is reached)

tightening torque: M10: 25 Nm
M8: 15 Nm

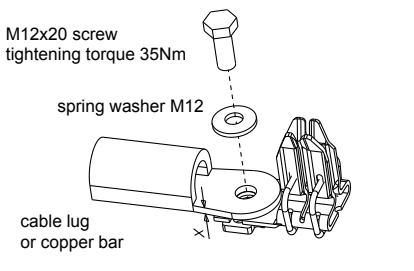
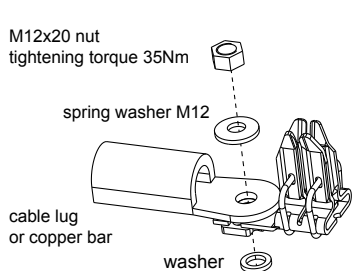
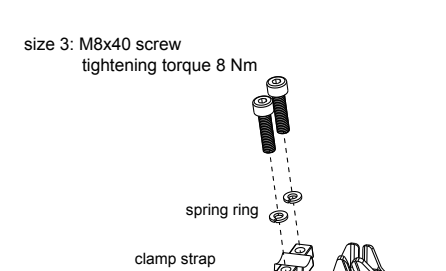
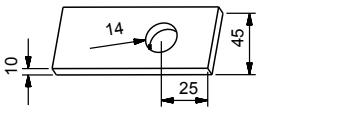
Dimensions in mm

MULTIBLOC® 3.ST8

Size 3, 630A, 690VAC, Design for Bottom Fitting, 3-,4-pole

DIMENSIONS

Cable termination size 3 (MA 108e)

screw terminal: (standard)	bolt terminal: (standard)	terminal: clamp strap (option / accessory)
 <p>M12x20 screw tightening torque 35Nm</p> <p>spring washer M12</p> <p>cable lug or copper bar</p> <p>for values x larger than 10 mm use M 12x35 screw plus washer in addition</p>	 <p>M12x20 nut tightening torque 35Nm</p> <p>spring washer M12</p> <p>cable lug or copper bar</p> <p>washer</p> <p>M12x35 nut tightening torque 35Nm</p>	 <p>size 3: M8x40 screw tightening torque 8 Nm</p> <p>spring ring</p> <p>clamp strap</p>
<p>size: for cable lug in accordance with DIN 46234 max. 240 mm² DIN 46235 max. 240 mm² DIN 46329 max. 300 mm²</p>	 <p>14</p> <p>45</p> <p>25</p> <p>10</p>	<p>size 3: for round stranded conductors 150-300 mm² for bars or laminated copper 25 x 3 -14</p>

Dimensions in mm

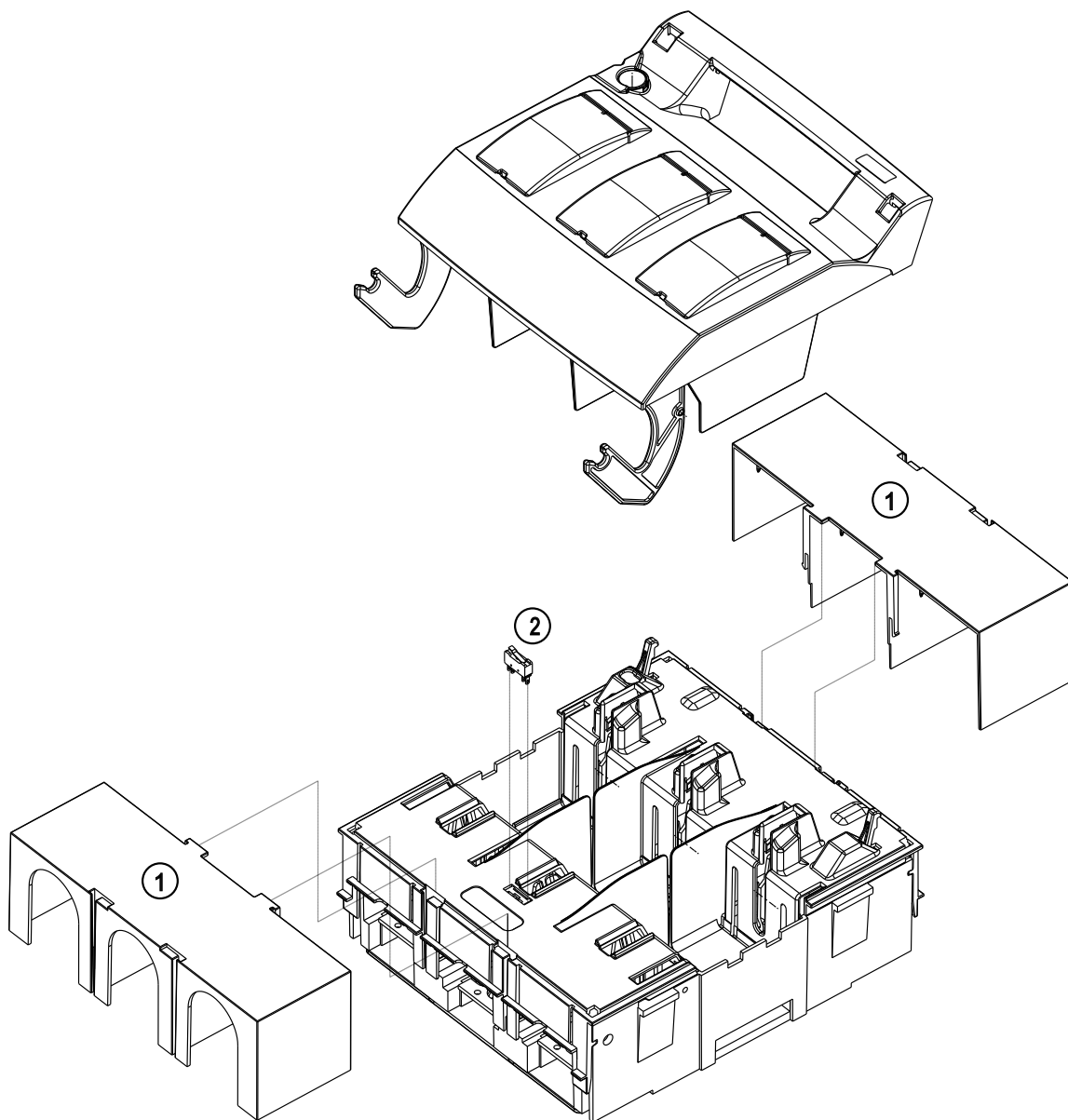
MERSEN reserves the right to change, update or correct, without notice, any information contained in this datasheet.

MULTIBLOC® 3.ST8

Size 3, 630A, 690VAC, Design for Bottom Fitting, 3-,4-pole

EXPLODED SKETCH

MULTIBLOC® 3.ST8 NH- fuse switch disconnecter triple pole design for bottom fitting (E 1.001.523)

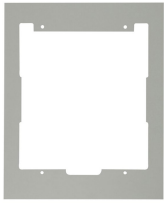


no.	articlenumber	short Description
1	1.000.893	cover for cable termination,1 set=2 pcs.
2	1.000.852	indicator for switch door position

MULTIBLOC® 3.ST8

Size 3, 630A, 690VAC, Design for Bottom Fitting, 3-,4-pole

ACCESSORIES



1.002.353

Cover shields

Catalog number	Item number	Design	Package	Weight
1.002.353	W1002175	cover shield for installation in distribution units size (width x height): 287 x 330 mm for one 3.ST8 triple pole	1 piece	0.13 kg



1.000.893

Cover/shrouds for cable termination

Catalog number	Item number	Design	Package	Weight
1.000.893	P1002169	cover for cable terminal connection for 3.ST8 triple pole, 1 set = 2 pieces	1 set	0.50 kg
1.003.319	L1022981	cover for cable terminal connection for 3.ST8 quadruple pole	1 piece	0.25 kg



1.003.319



1.002.490

Adapter für installation on to bus bars with clamp terminal

Catalog number	Item number	Design	Package	Weight
1.002.490	D1023112	bus bar adapter size 3 with clamp terminal for MULTIBLOC® 3.ST8 triple pole for bus bar system 60 mm	1 piece	1.17 kg
1.002.503	E1023113	bus bar adapter size 3 with clamp terminal for MULTIBLOC® 3.ST8 triple pole for bus bar system 100 mm	1 piece	1.28 kg



1.002.503



1.000.852

Indication facilities

Catalog number	Item number	Design	Package	Weight
1.000.852	Q1002285	indicator for switch door position micro switch, 1 change-over contact 5 A, 250 V	1 piece	90 g

MULTIBLOC® 3.ST8

Size 3, 630A, 690VAC, Design for Bottom Fitting, 3-,4-pole

ACCESSORIES



1.001.238

Varieties of cable termination

Catalog number	Item number	Design	Package	Weight
1.001.238	C1002181	clamp strap size 3 150–300 mm ² , 1 set = 3 pieces	1 set	0.32 kg
13SZAD6	A1022971	M12 terminal lugs for M12 double terminal for MULTIBLOC® size 2 and 3 1 set = 3 pieces	1 set	0.26 kg