

# FIXGRID PRO

# FIXGRID PRO-100

PRODUCT SHEET

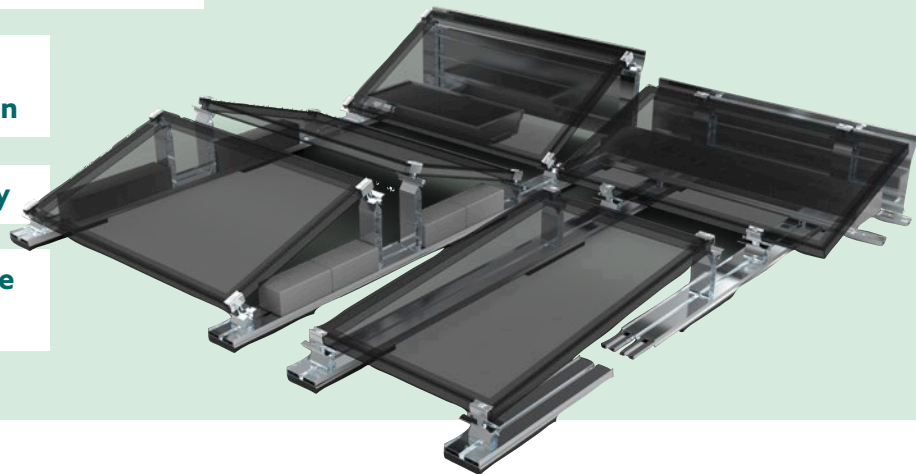


Modular system for south and east-west orientation

Ballast reduction through wind tunnel expertise and aerodynamic optimization

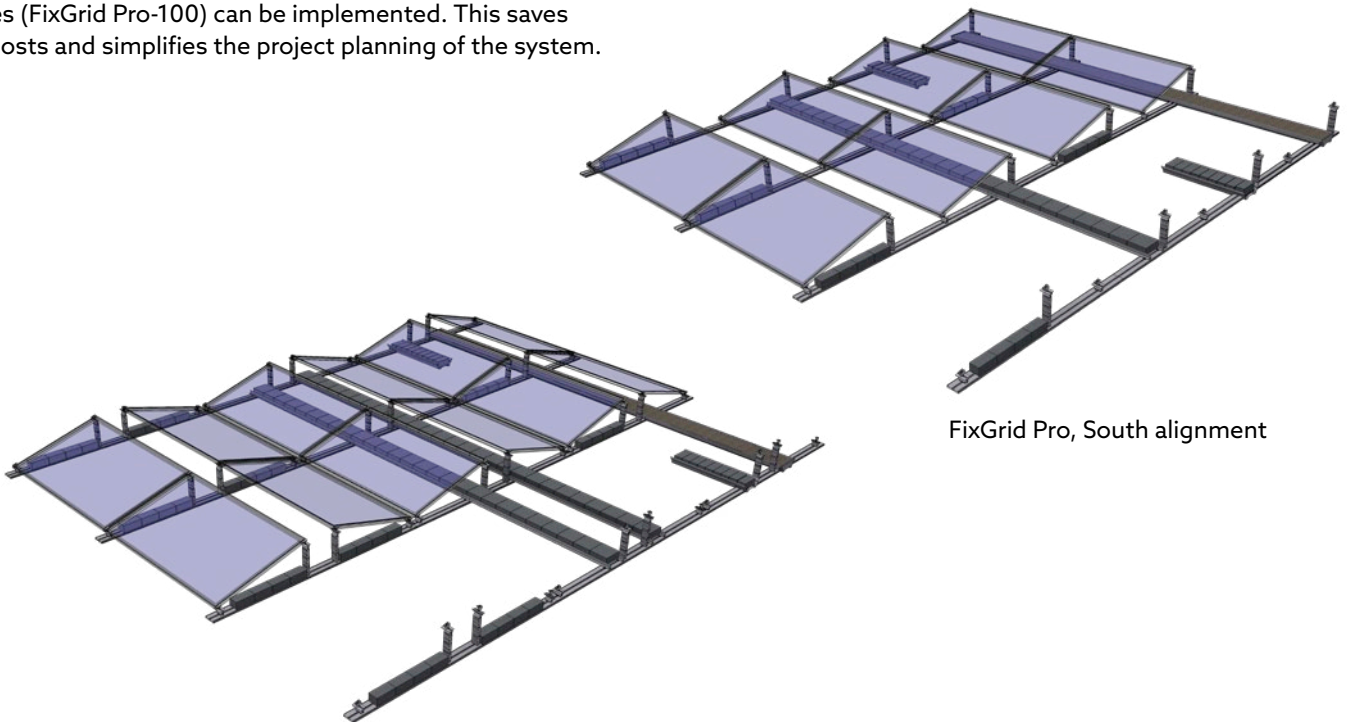
Fewer components with more flexibility

Module pitch in 5°/10°/ 15° with variable module clamping and configuration



## FLEXIBLE SYSTEM FOR DIFFERENT ALIGNMENTS

With identical components and without additional rails, both South alignments (FixGrid Pro) and east-west alignments on both sides (FixGrid Pro-100) can be implemented. This saves storage costs and simplifies the project planning of the system.



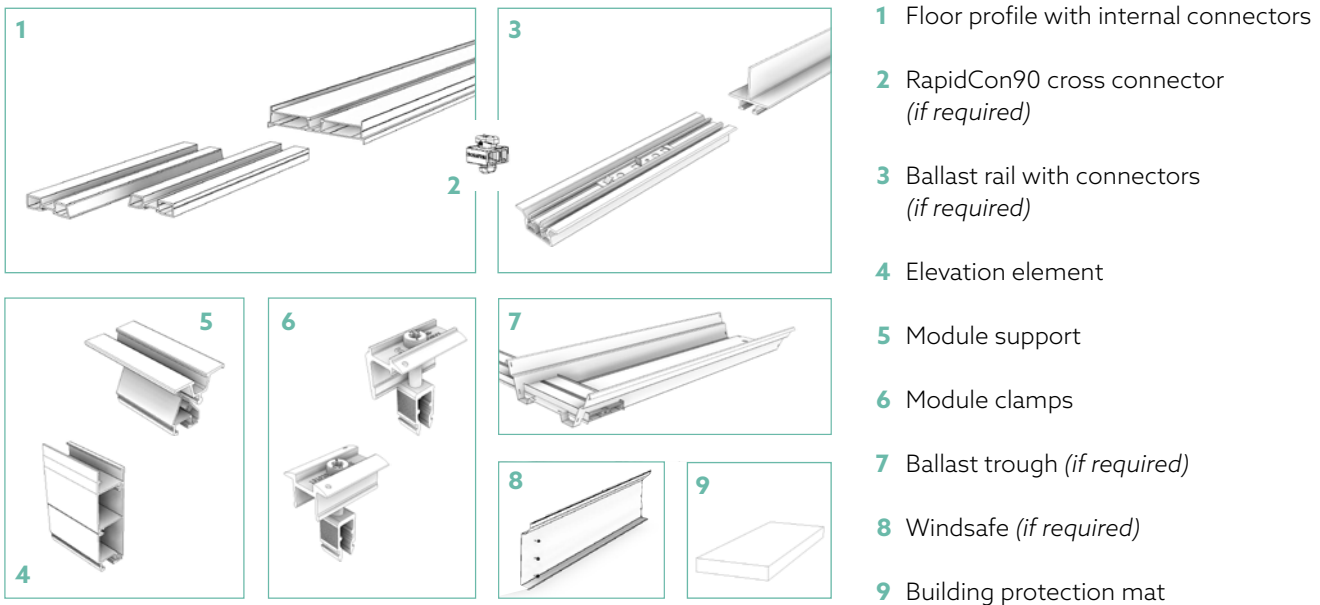
FixGrid Pro, South alignment

FixGrid Pro-100, East-West alignment

# FIXGRID PRO / FIXGRID PRO-100

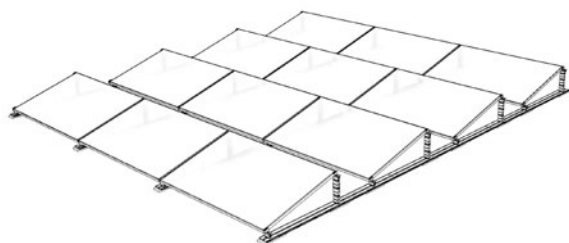
## FEW COMPONENTS ENABLE NUMEROUS VARIANTS

The system consists of only a few components that, when combined, cover a wide range of use cases:

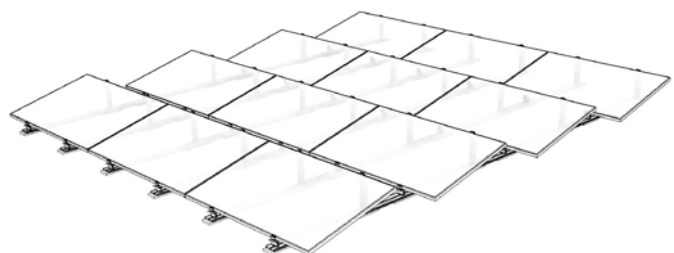


With this, a wide variety of configurations can be implemented with additional consideration of the required module clamping (e.g., with increased snow loads):

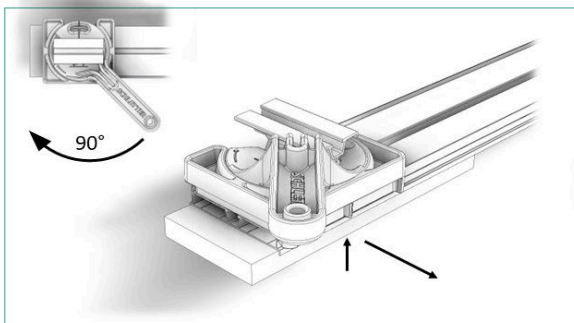
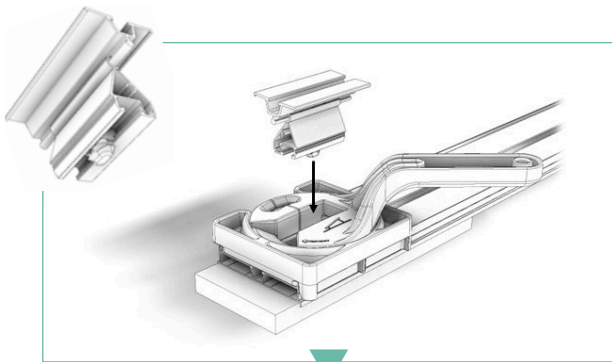
**Landscape**  
(5°/10°/15°)



**Landscape PLUS**  
Clamping at the quarter point  
(5°/10°/15°)



## FIXGRID PRO / FIXGRID PRO-100

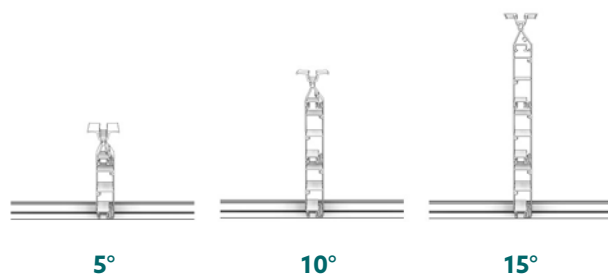


### SMOOTH WORK WITH THE SCREW-IN AID

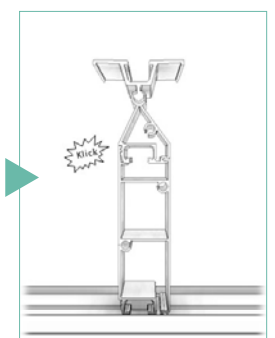
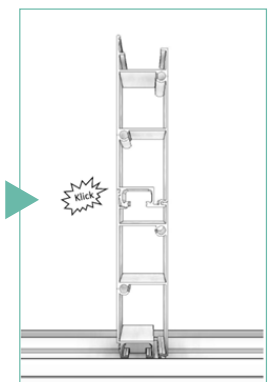
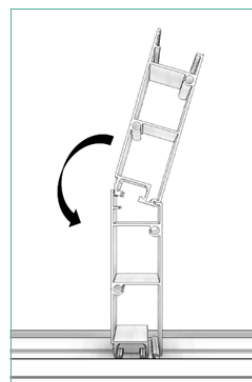
The screw-in aid and the screw-in connector enable a time-saving method of working. In the case of module support and elevation element, the screw-in connector is pressed; this saves pre-mounting of the element. Over-tightening or incorrect alignment of the supports is not possible with the screw-in aid.

### VARIABLE MODULE INCLINATION BY MEANS OF ELEVATION ELEMENTS

The FixGrid Pro allows gradual adjustment of the angle of inclination by means of elevation elements. The elements are mounted without tools by clicking them into the already mounted basic element.



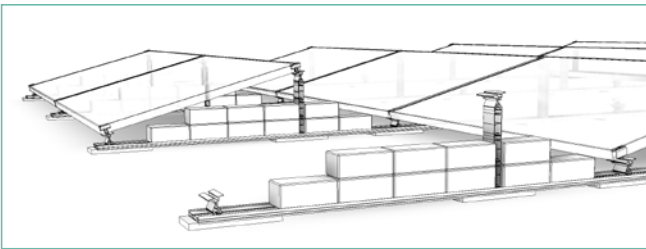
The elevation is completed by the module support, which can also be clicked into place. This allows a clean support surface of all module dimensions thanks to its flexible joint.



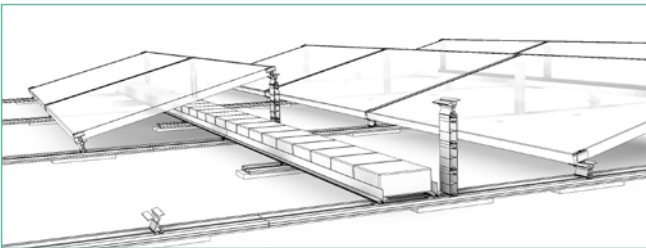
# FIXGRID PRO / FIXGRID PRO-100

## PROJECT-SPECIFIC BALLASTING OPTIONS

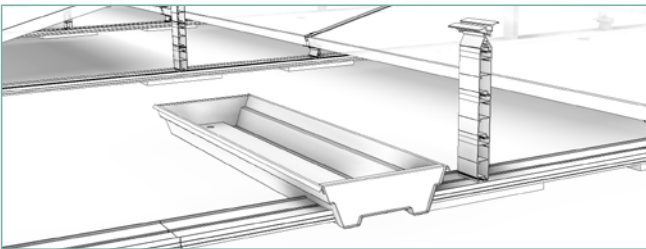
The optimized aerodynamics of the system minimize the amount of ballast required. The necessary ballasting results from the individual project planning with the Schletter Configurator. This can vary greatly with flat roof systems. The ballasting options of the FixGrid Pro are thus just as variable. As standard, the ballast is distributed on the existing base rails; ballast rails and gravel troughs can be used for extended requirements.



Variant A:  
Ballasting on the base rail



Variant B:  
Ballasting on additional ballast rails



Variant C:  
Ballasting with additional gravel troughs

## FIXGRID PRO / FIXGRID PRO-100

### TECHNICAL DETAILS

<b>Field of application</b>	Flat roof system ballasted (without roof penetration)
<b>Material</b>	<ul style="list-style-type: none"> <li>• System components: Alu EN AW 6063</li> <li>• Building protection mat: rubber granulate with aluminum lamination</li> <li>• Connecting elements: stainless steel 1.4301 or higher quality</li> </ul>
<b>Planning aid</b>	Configuration and static dimensioning via the Schletter Configurator
<b>Statics</b>	<p>Static calculation based on the recognized rules of technology.          The stability verification for the assembly system is carried out on the basis of the Eurocode in conjunction with general building inspectorate approvals. The load assumptions comply with DIN EN 1991-1 and the regulations of the national annex.          Verification of roofing and building is not included.          Notes in the verification must be observed.</p>
<b>Warranty</b>	25 years in accordance with our warranty conditions
<b>Supplementary documents</b>	<p>Mounting instructions for FixGrid Pro / FixGrid Pro-100          Component overview – ballast-optimized flat roof systems</p>

### ITEM OVERVIEW

<b>165005-001</b>	Pro single-pivot module support (mounting on floor profile)	VPE: 25
<b>165005-004</b>	Pro module support (mounting on elevation element)	VPE: 25
<b>165005-002</b>	Pro turn-in elevation element (mounting on floor profile)	VPE: 25
<b>165005-003</b>	Pro elevation element (mounting on elevation element)	VPE: 25
<b>165001-xxxxx</b>	Pro floor profile (various lengths)	VPE: 1
<b>169004-xxx</b>	Building protection mat (various designs)	VPE: 25
<b>169008-006</b>	FixGrid Pro screw-in tool	VPE: 2

► **NOTE**  
 For a detailed article overview, please refer to the component overview

### SUPPLEMENTARY ITEMS (to be ordered separately))

<b>129200-001</b>	Pro floor profile connector	VPE: 70
<b>1692xx-xxx</b>	Pro Windsafe (different versions)	VPE: 50
<b>169020-100</b>	Pro ballast trough	VPE: 1
<b>165002-xxxxx</b>	Pro ballast + composite rail (various lengths)	VPE: 1

