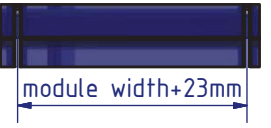
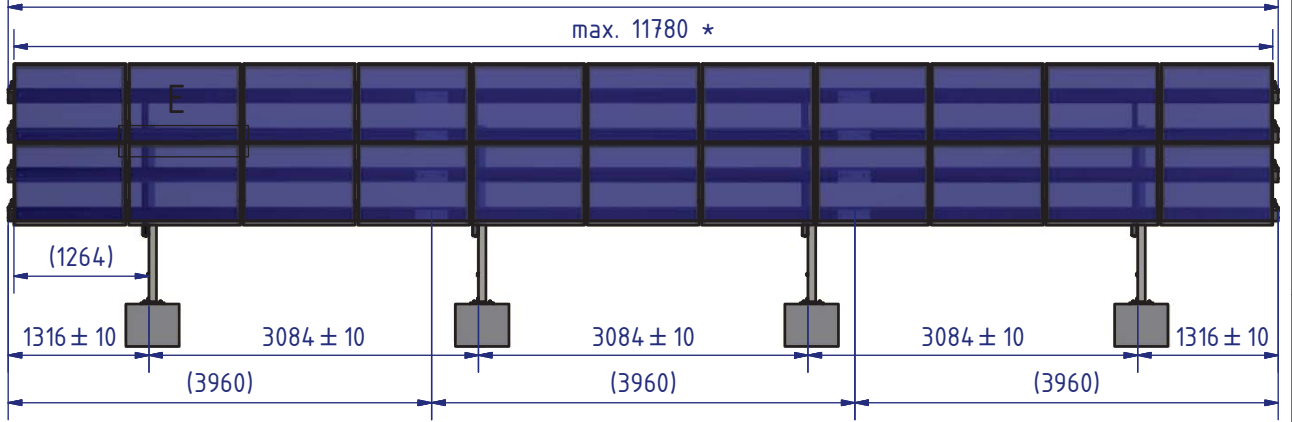


All rights reserved. Explicit written consent by Schletter Group is required for any kind of reproduction of this document.

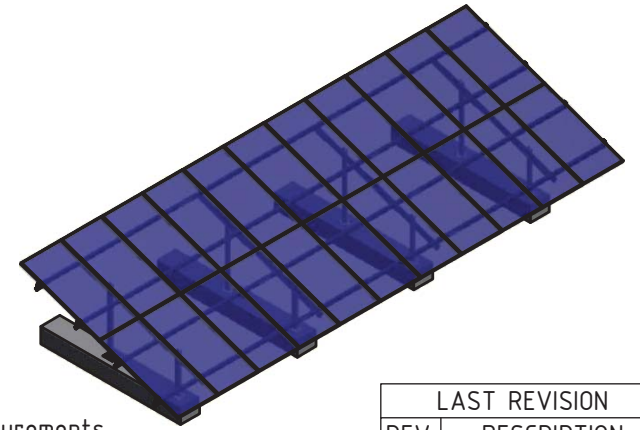
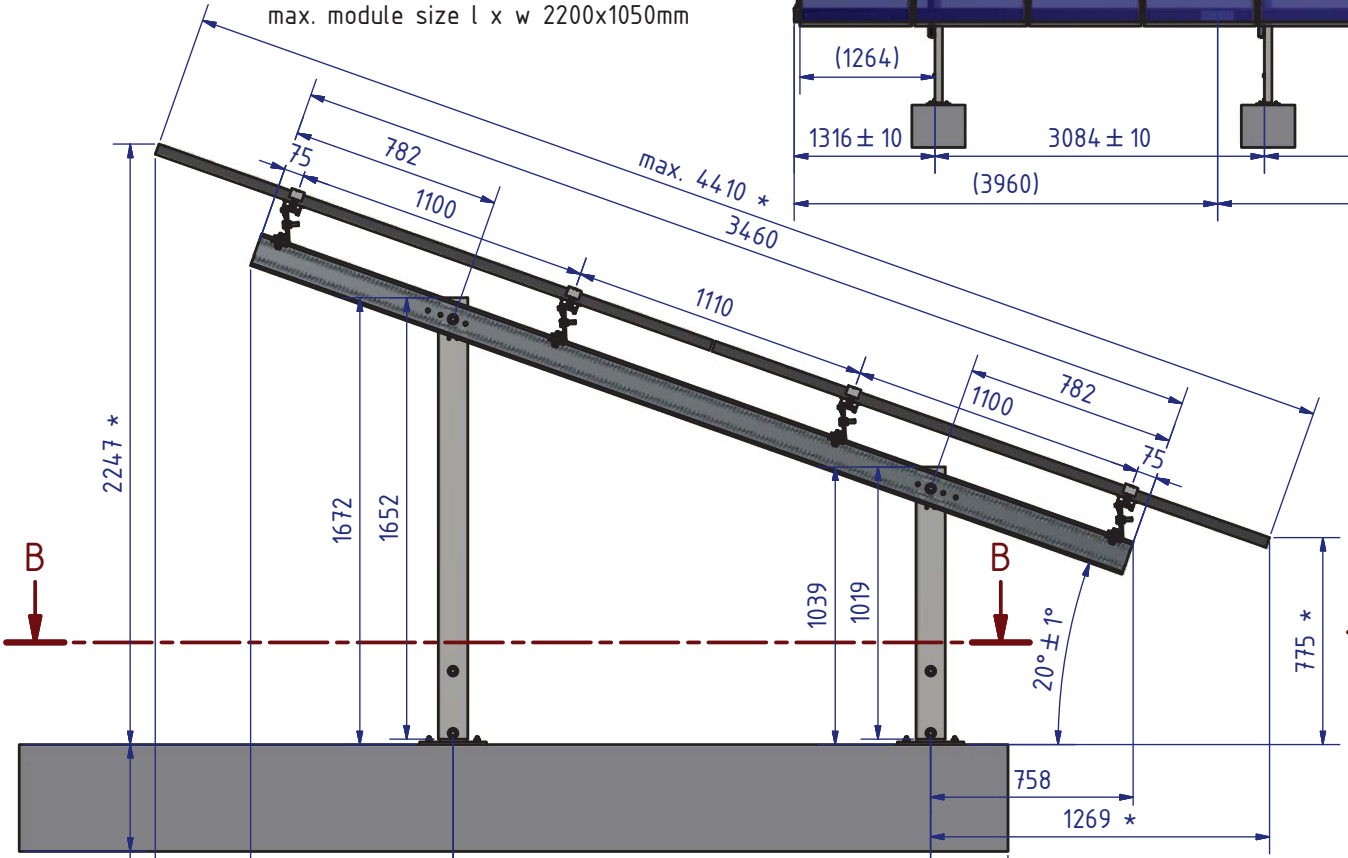
E (1 : 25)



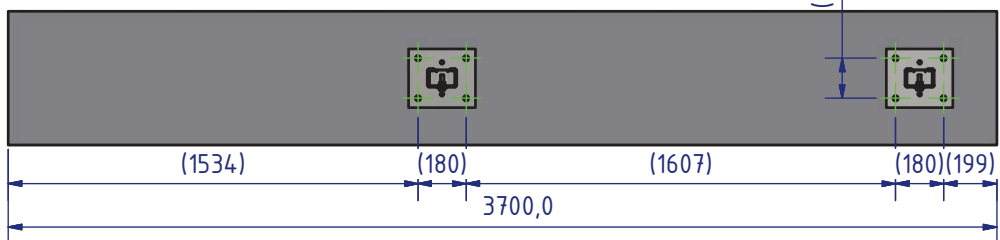
A (1 : 50)



72 Cell Modules (1 : 20)
max. module size l x w 2200x1050mm



B-B (1 : 20)



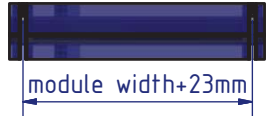
* = depending on module measurements
Module clamps must be ordered separately.

LAST REVISION	
REV.	DESCRIPTION
03	parts list changed

SCHLETTER The Solar Mounting Group		Material:	Scale: 1 : 20	Customer:	Information:
Particularities:		Date	Name	Name/Comment:	
Part number	Area	30.04.2020	SCHUPH	PVMaX Kit 2V 11/72 4 Pfosten	
Weight	kg	Checked		PVMaX Kit 2V 11/72 4 Posts	
14,770,7325 kg		Approved	12.11.2020	SCHMBE	
Volume	mm ³	Surface specification:		Supplier:	
2,4668 q/cm ³	5,987792583030E+09 mm ³	Tolerance specifications:		Item number: 146003-040	
△ parts list changed	11.11.2020	Projection method:		1 / 5	
△ foundation added	06.10.2020	Status of construction:		FR	
△ components changed	23.09.2020	FR		Document ID: 10000098647-ZNG-000-03	
Status	Changes	Date	Name	A3	

All rights reserved. Explicit written consent by Schletter Group is required for any kind of reproduction of this document.

F (1 : 25)

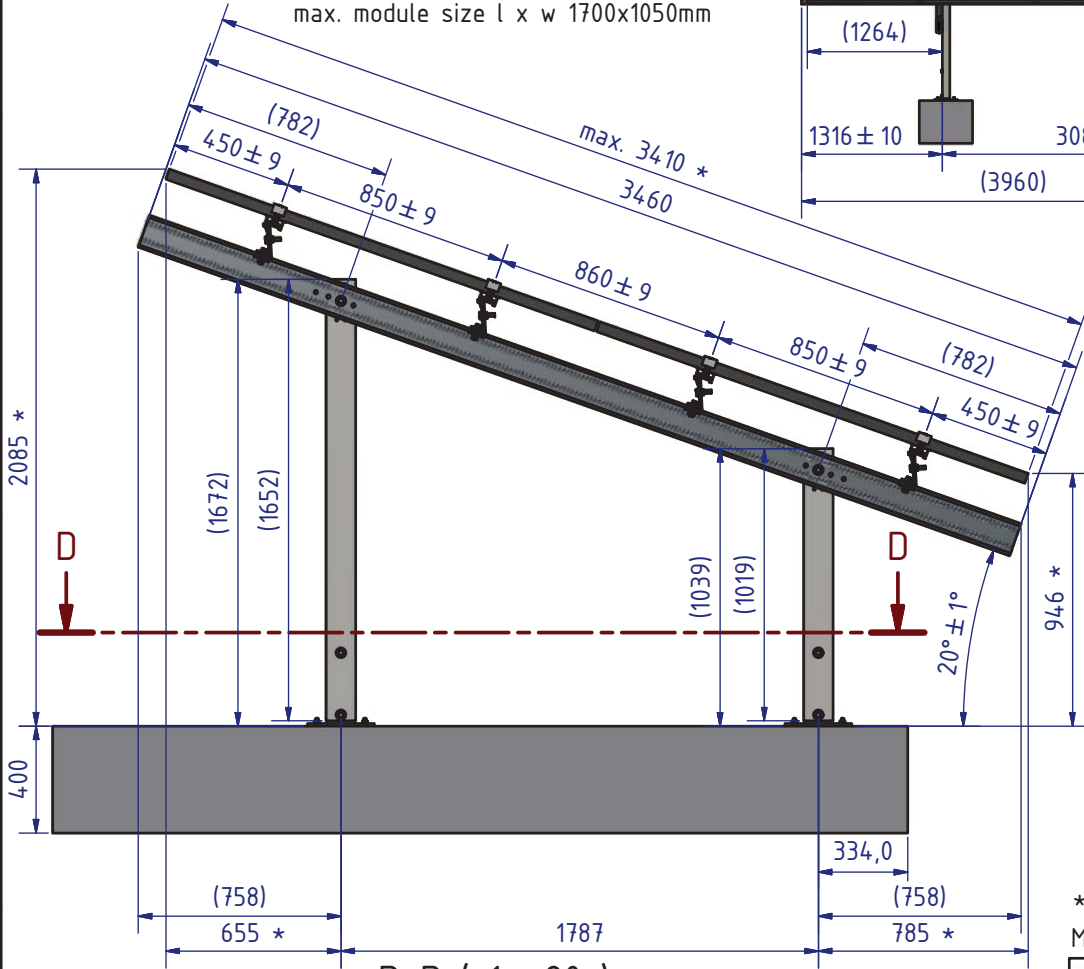
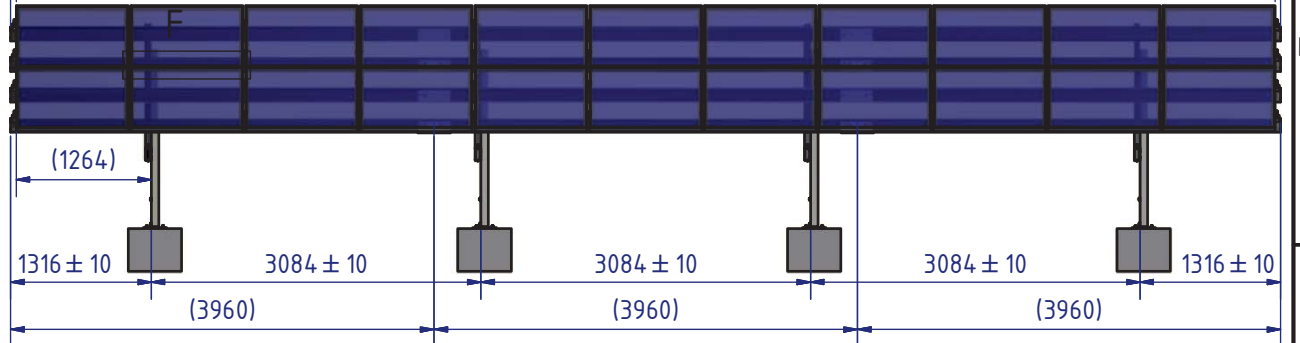


60 Cell Modules (1 : 20)
max. module size l x w 1700x1050mm

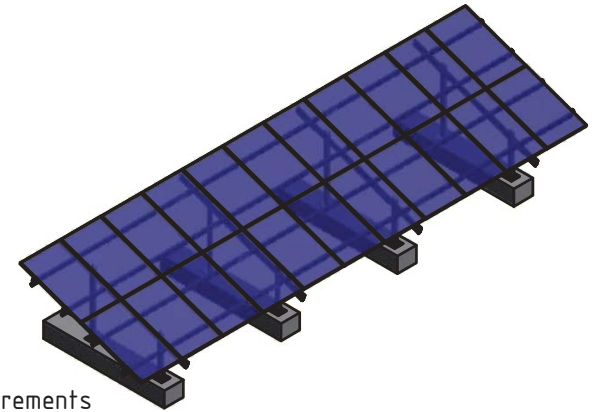
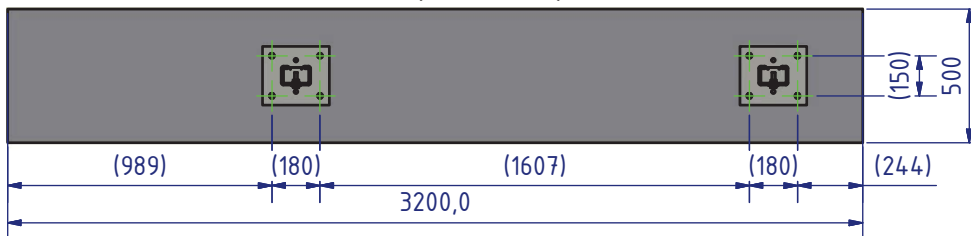
C (1 : 50)

11884

max. 11780 *



D-D (1 : 20)

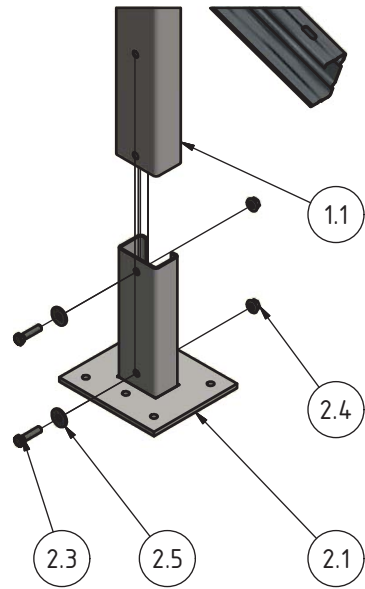


* = depending on module measurements

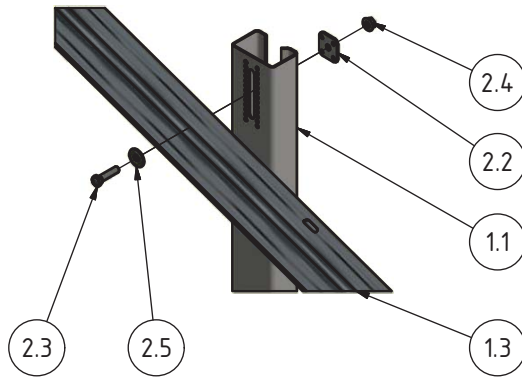
Module clamps must be ordered separately.

SCHLETTER The Solar Mounting Group		Material:	Scale: 1 : 20	Customer:	Information:
Particularities:		Date	Name	Job number:	Information:
Part number:	334.960193.529 mm ²	30.04.2020	SCHUPH	Name/Comment: PVMaxS Kit 2V 11/72 4 Pfosten PVMaxS Kit 2V 11/72 4 Posts	
Weight:	14.770,7325 kg	Checked			
Density:	2,4668 g/cm ³	Approved	12.11.2020		
	5,987792583030E+09 mm ³	Surface specification:			
△ parts list changed	11.11.2020	SCHUPH	Tolerance specifications:	Projection method:	Supplier:
△ foundation added	06.10.2020	SCHUPH		Item number: 146003-040	2 / 5
△ components changed	23.09.2020	SCHUPH			A3
Status	Changes	Date	Name	Status of construction: FR	Document ID: 10000098647-ZNG-000-03

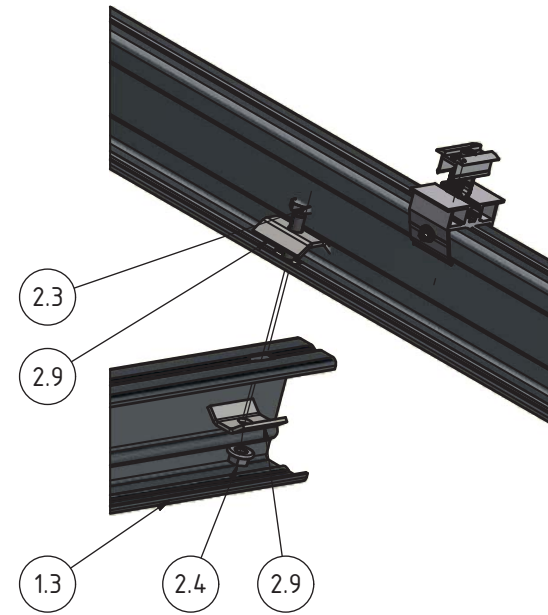
Foundation (1 : 10)



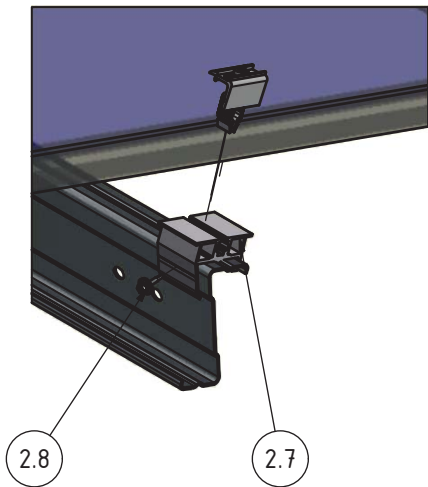
Foundation-Girder (1 : 10)



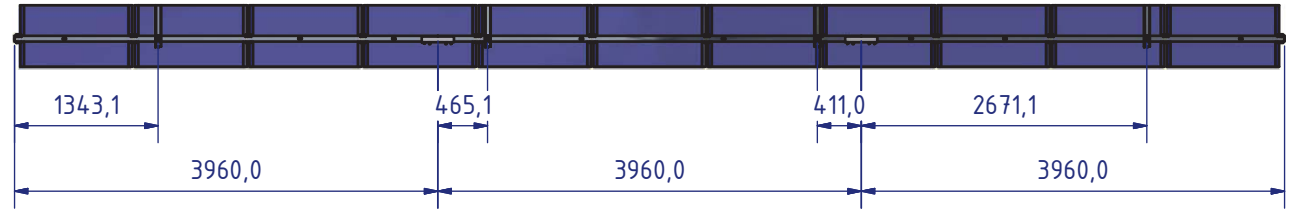
Girder-Purlin (1 : 5)



Module Clamp (1 : 5)

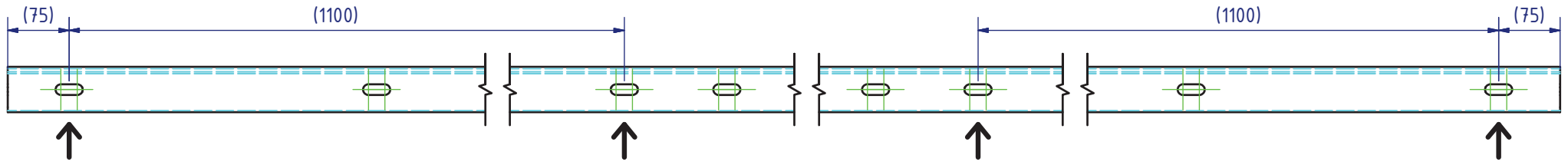


Girder-Purlin Holes (1 : 50)

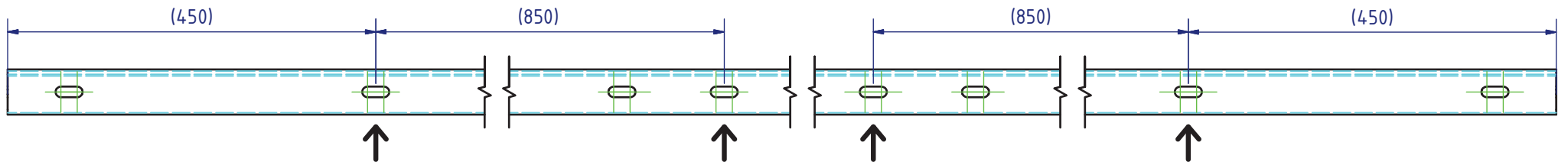


SCHLETTER The Solar Mounting Group		Material:	Scale:	Customer:	Information:
Particularities:		Date	Name	Job number:	Information:
Part number: 834960193.529 mm ²		Drawn	30.04.2020	Name/Comment:	
Weight: 14770,7325 kg		Checked	SCHUPH	PVMaX Kit 2V 11/72 4 Pfosten	
Density: 2,4668 g/cm ³		Approved	12.11.2020	PVMaX Kit 2V 11/72 4 Posts	
Volume: 5,987792583030E+09 mm ³		Surface specification:		Supplier:	
<ul style="list-style-type: none"> parts list changed 11.11.2020 SCHUPH foundation added 06.10.2020 SCHUPH components changed 23.09.2020 SCHUPH 		Tolerance specifications:		Projection method:	
Status: Changes		Date:	Name:	Item number: 146003-040	
Date:		Date:	Name:	Document ID: 10000098647-ZNG-000-03	
				3 / 5	
				A3	

Girder holes for 72 Cell Modules:



Girder holes for 60 Cell Modules:

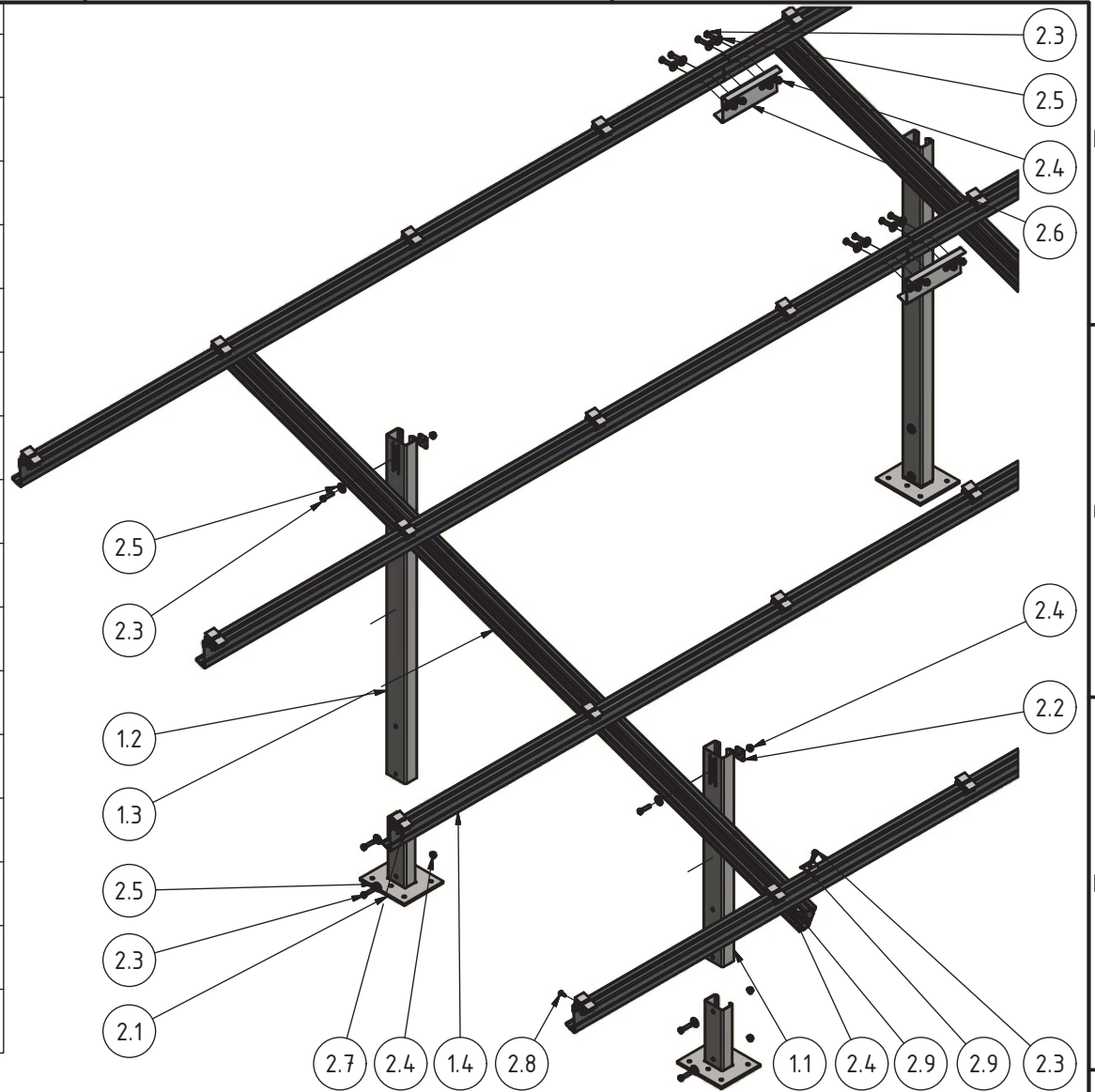


All rights reserved. Explicit written consent by Schletter Group is required for any kind of reproduction of this document.

 The Solar Mounting Group		Material:	HXS00LAD-ZM430	Scale:	1 : 5	Customer:		Information:	
						Job number:		Information:	
Particularities:		Date:	30.04.2020	Name:	SCHUPH	Name/Comment:			
Part number:	1754544.053 mm ²	Checked:		PVMaXS Kit 2V 11/72 4 Pfosten					
Weight:	13.6409 kg	Volume:		PVMaXS Kit 2V 11/72 4 Posts					
Density:	7.8500 g/cm ³	Approved:	12.11.2020	SCHMBE					
Status: Changes Date Name		Tolerance specifications: Projection method:				Supplier:		Item number: 146003-040	
11.11.2020 SCHUPH parts list changed		06.10.2020 SCHUPH foundation added		23.09.2020 SCHUPH components changed		10000098647-ZNG-000-03		4 / 5 A3	

Parts list 60/72 Cell Modules

POS	QTY	ITEM NUMBER	NAME	STANDARD	LENGTH	MASS
1	1	146003-038	PVMaxS Kit 2V 11/72 4 Profiles			
1.1	4	143006-236	Steel foundation post SRF6 1019mm		1019mm	7,221 kg
1.2	4	143006-235	Steel foundation post SRF6 1652mm		1652mm	11,750 kg
1.3	4	144099-008	FS steel girder 3460mm		3460mm	13,641 kg
1.4	12	144901-013	FS Uno/FS Duo Purlin - S5 3960mm		3960mm	15,626 kg
2	1	146003-039	PVMaxS Kit 2V 11/72 4 accessory			
2.1	8	143018-001	SRF6 connection PvMax steel galvanized			6,419 kg
2.2	10	000016-673	FS steel locking plate			0,055 kg
2.3	100	943000-599	Screw M12x50 hexagon DIN933 A2	DIN 933		0,062 kg
2.4	100	943912-012	M12 Flange Nut serrated DIN6923 A4	DIN 6923		0,026 kg
2.5	100	943922-012	M12 Large Washer DIN9021 A2	DIN 9021		0,022 kg
2.6	8	144999-015	FS Uno/FS Duo Z-purlin connector galv.			1,916 kg
2.7	50	000014-680	FS Uno/FS Duo Mod Clamp Adapter Univ			0,112 kg
2.8	100	943755-925	Self-tapping screw 5.5x25A2 w.seal.wash	Schletter		0,009 kg
2.9	32	144999-088	FS UNO/DUO connector purlin-girder galv			0,096 kg



SCHLETTER The Solar Mounting Group		Material:	Scale: 1 : 20	Customer:	Information:
Particularities:		Date	Name	Name/Comment:	
Part number:	14770_7325	30.04.2020	SCHUPH	PVMaxS Kit 2V 11/72 4 Pfosten	
Weight:	14,770,7325 kg	Checked		PVMaxS Kit 2V 11/72 4 Posts	
Area:	2,4668 q/cm ²	Approved	12.11.2020	SCHMBE	
Volume:	5,987792583030E+09 mm ³	Surface specification:		Supplier:	
△	parts list changed	11.11.2020	SCHUPH	Tolerance specifications:	Projection method:
△	foundation added	06.10.2020	SCHUPH	Item number: 146003-040	
△	components changed	23.09.2020	SCHUPH	5 / 5	
Status	Changes	Date	Name	Status of construction: FR	Document ID: 10000098647-ZNG-000-03