

Design Data.

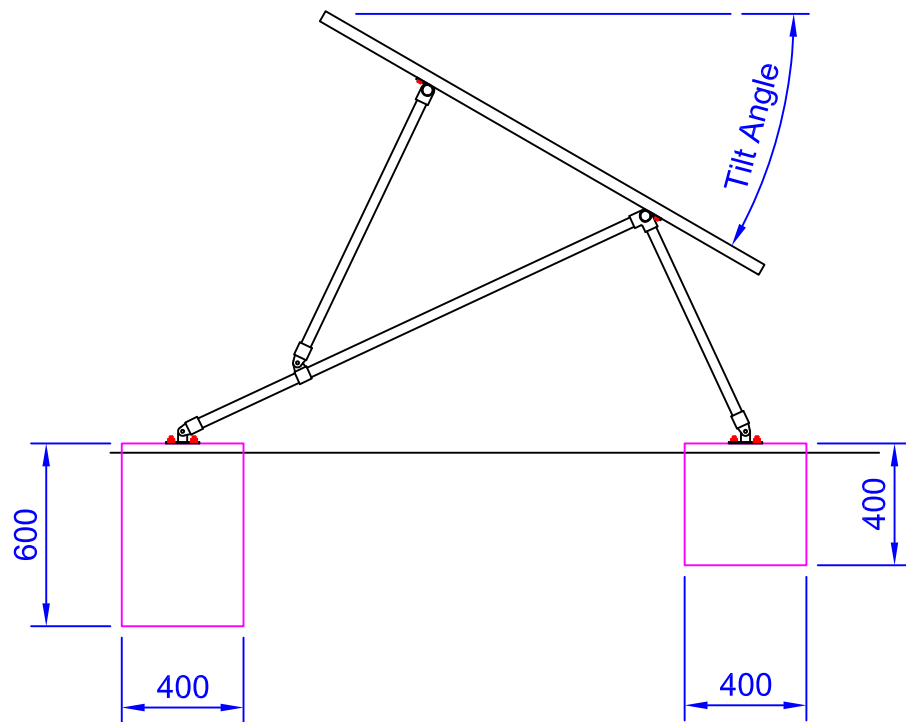
- Material: mild & Carbon steel
- Finish: Galvanised
- Fasteners: A4 Stainless steel
- Mod, fixings: A4 stainless steel
- Wind loading: 55metres per second

Suitable for solar panels up to a width of 1062mm
 Supplied c/w M6 & M8 module mounting fasteners.

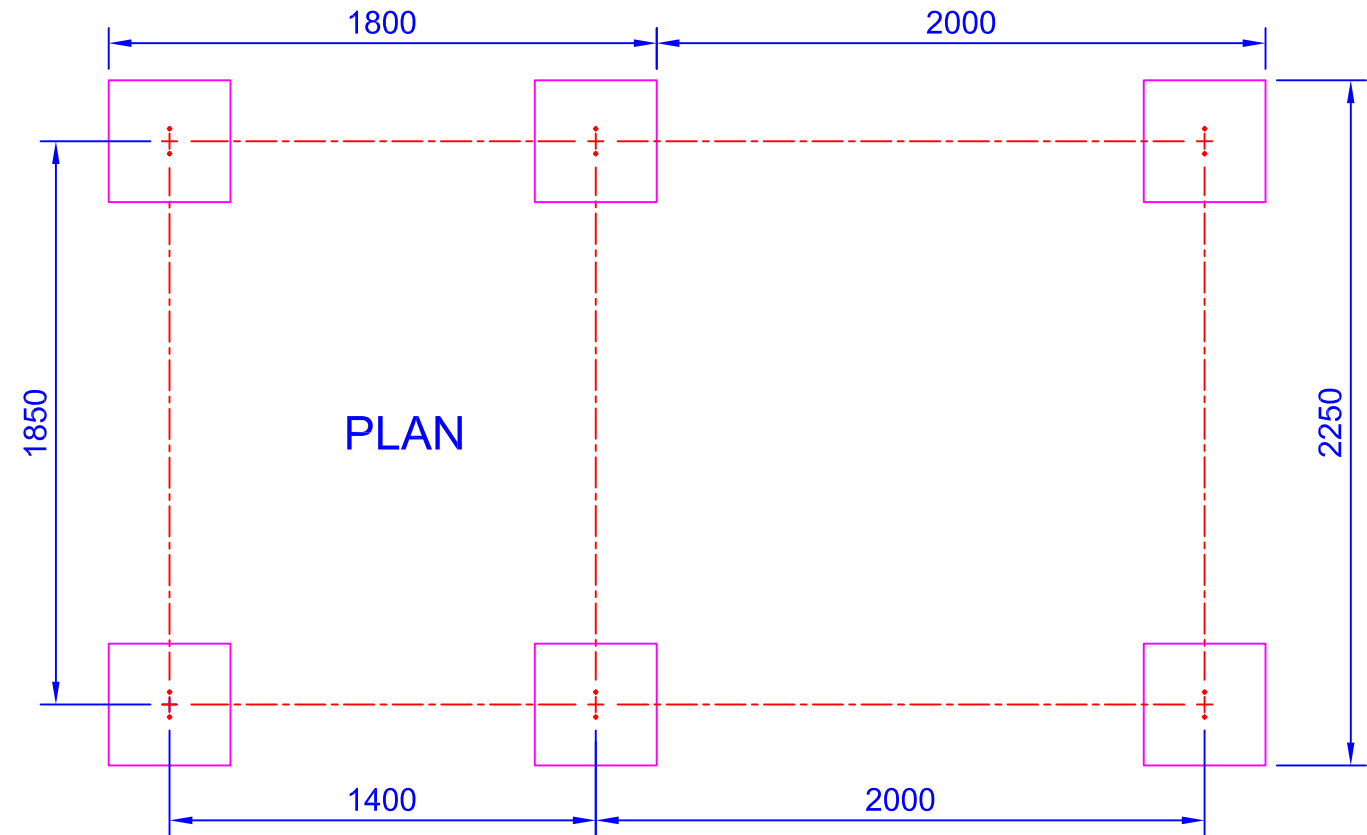
Modular design allows for up to 12 modules per structure, using the 2 module extensions. The maximum number of modules per structure will depend upon the suitability of the ground level.

Concrete foundations (supplied by others) to grade C35 minimum. Minimum foundations shown, larger foundations may be required due to ground conditions.

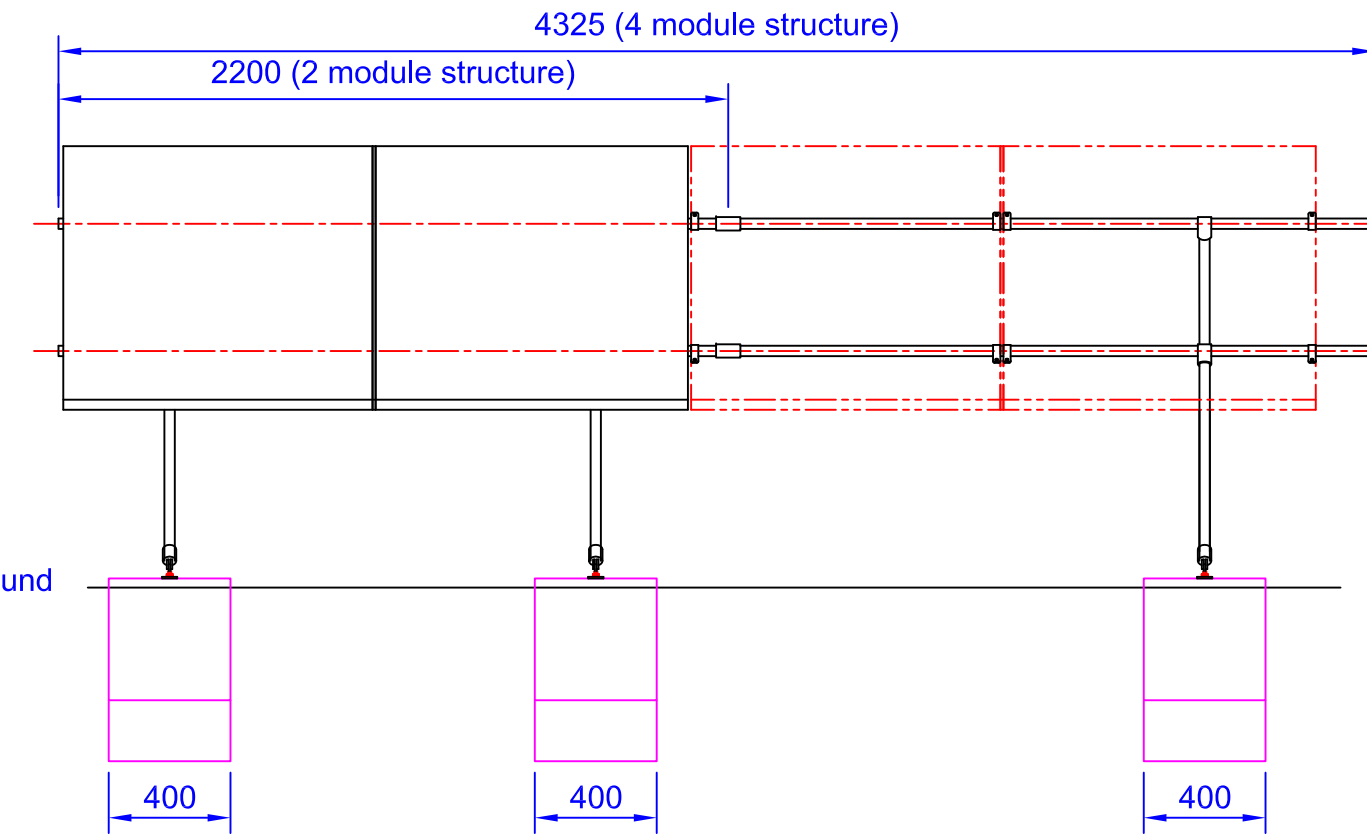
Non foundation version also available.



SIDE ELEVATION



PLAN

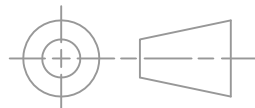


FRONT ELEVATION

Nominal Ground Level

Tolerances.
 NO D.Point ±1mm
 1 D.Point ±0.5mm
 2 D.Points ±0.2mm

DO NOT SCALE



© 2021

This drawing is copyright and the property of BDS, it must not be copied in whole or in part, used for manufacture or otherwise disclosed without prior consent of BDS.

Material.

Finish.

1	T Brooks	25.06.2021	Production Issue
ISSUE	DRAWN BY	DATE	CHANGE
Tm Type low level Modular Ground Mount Structure Kit FOUNDATION VERSION			Product Type Tm Type No. 001 058