

Product offering



HelioFuse DCNH - 600VDC

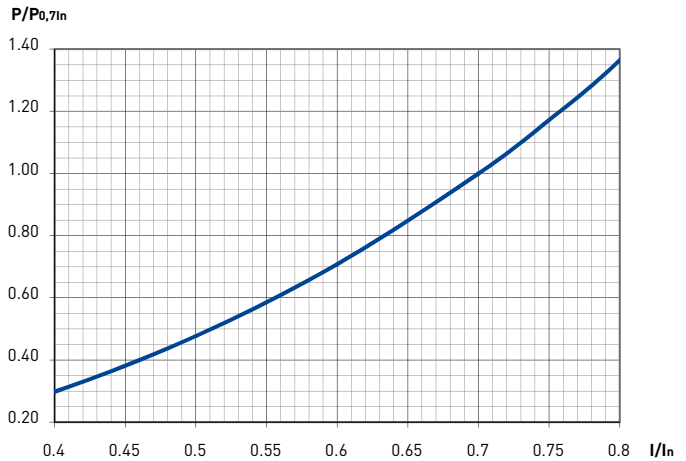
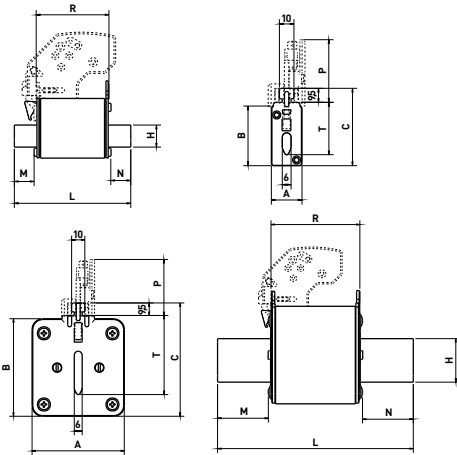


Minimum Breaking Capacity = 2In ; Maximum Breaking Capacity = 50 KA

Maximum operating voltage	Rated Current	Size	Cat. Number	Packaging
600VDC @ L/R = 2ms	50A	00	DC00GS60V050PV	3
	63A	00	DC00GS60V063PV	3
	80A	00	DC00GS60V080PV	3
	100A	00	DC00GS60V100PV	3
600VDC @ L/R = 2ms	125A	1	DC1GS60V125PV	3
	160A	1	DC1GS60V160PV	3
	200A	1	DC1GS60V200PV	3
	250A	1	DC1GS60V250PV	3
	280A	1	DC1GS60V280PV	3

Dimensions	A	B	C	H	L	M	N	P	R	T
Size 00 (mm)	29.5	47.5	59.5	15	79	13.1	13.1	43.4	50	35
Size 00	1.16"	1.87"	2.34"	0.59"	3.11"	0.52"	0.52"	1.71"	1.97"	1.38"
Size 1 (mm)	39.5	52.5	64.5	20	135	32.1	32.1	43.4	68	40
Size 1	1.56"	2.07"	2.54"	0.79"	5.32"	1.26"	1.26"	1.71"	2.68"	1.57"

Drawing



Electrical characteristics

Cat. Number	Watt Losses @ 0.7In & 20°C
DC00GS60V050PV	4.35
DC00GS60V063PV	4.85
DC00GS60V080PV	5.65
DC00GS60V100PV	6.35
DC1GS60V125PV	9.0
DC1GS60V160PV	10
DC1GS60V200PV	11

Corrective factor for power losses vs. ambient temperature

