

SUNSAVER DUO™

Installation and Operation Manual



....

Dual Battery Charging Solar Controller
for RVs, Caravans, and Boats

....

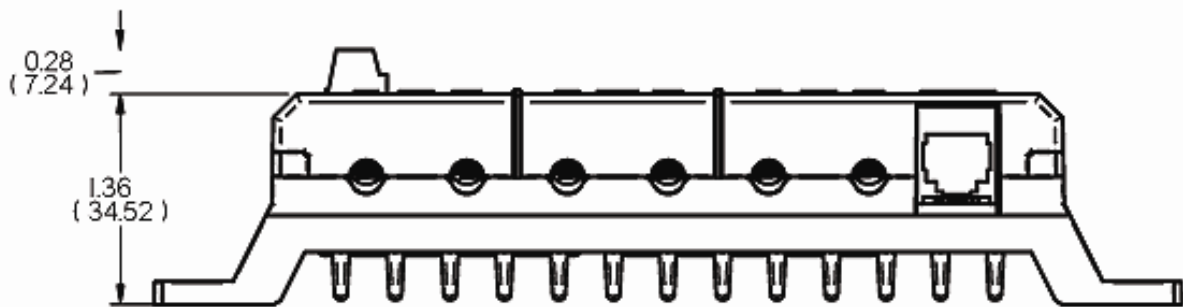
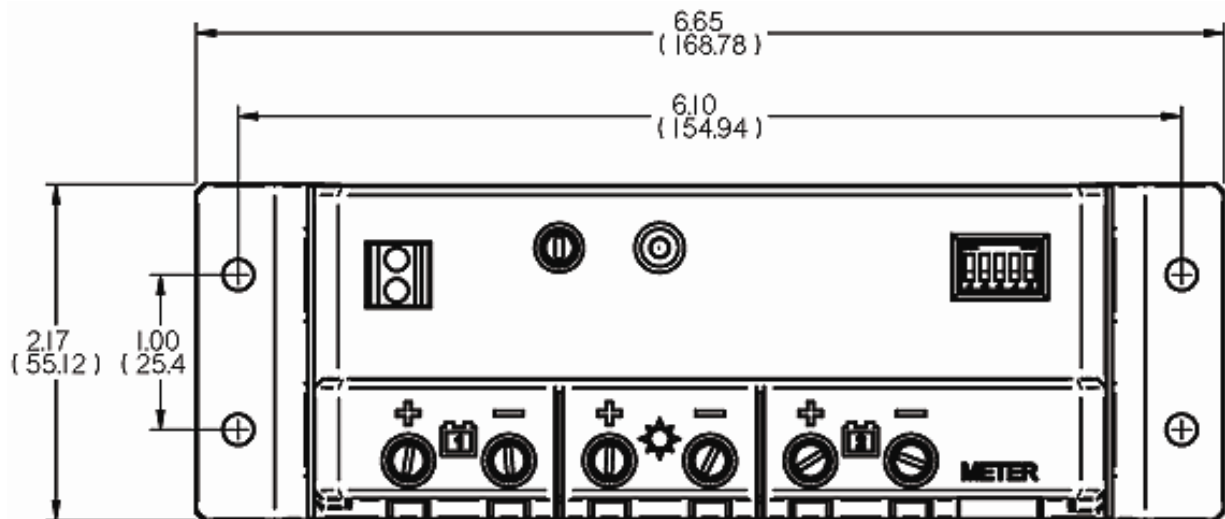
Ratings

Nominal Voltage	12 Volts
Rated Solar Current	25 Amps



8 Pheasant Run
Newtown, PA 18940 USA
www.morningstarcorp.com

SUNSAVER DUO DIMENSIONS



inches (mm)

Contents

1.0 Important Safety Information	4
2.0 General Information	5
2.1 Overview	5
2.2 Morningstar Accessories.....	7
3.0 Installation	8
3.1 General Installation Notes.....	8
3.2 Adjusting DIP Switches.....	9
3.3 Mounting	11
3.4 Wiring.....	12
4.0 Operation	19
4.1 LED Indications.....	19
4.2 Charging Information	20
4.3 Protections.....	21
4.4 Inspection and Maintenance	22
5.0 Troubleshooting	23
5.1 Error Indications.....	23
5.2 General Problems	23
6.0 Limited Warranty	25
7.0 Technical Specifications	26

1.0 Important Safety Information

SAVE THESE INSTRUCTIONS:

This manual contains important safety, installation and operating instructions for the SunSaver Duo solar controller.

The following symbols are used throughout this manual to indicate potentially dangerous conditions or important safety instructions.



WARNING: Indicates a potentially dangerous condition. Use extreme caution when performing this task.



CAUTION: Indicates a critical procedure for safe and proper operation of the controller.



NOTE: Indicates a procedure or function that is important for the safe and proper operation of the controller.

General Safety Information

- Read all of the instructions and cautions in the manual before starting the installation.
- There are no user serviceable parts inside the SunSaver Duo. Do not disassemble or attempt to repair the controller.
- Disconnect all sources of power to the controller before installing or adjusting the SunSaver Duo. Ensure that both batteries and the solar power have been disconnected before opening the access cover.
- There are no fuses or disconnects in the SunSaver Duo. Power must be removed externally.
- Do not allow water to enter the controller.
- Confirm that the power wires are tightened to avoid excessive heating from a loose connection.

2.0 General Information

2.1 Overview

Thank you for selecting the SunSaver Duo solar charge controller. The SunSaver Duo is an advanced PWM dual-battery charge controller for RV's, caravans, boats, and other installations that require simultaneous battery charging of two separate (isolated) batteries. The controller features a solar input connection and two battery connections. The SunSaver Duo will charge one battery or two batteries simultaneously using an advanced multi-stage charging algorithm.

A Status LED indicates charging progress and controller operating state. Battery charging and operating parameters are adjusted using five (5) Settings DIP Switches. The SunSaver Duo also features self-diagnostics and electronic error protection. Corrosion resistant power terminals and an epoxy-encapsulated circuit board provide maximum environmental protection. The SunSaver Duo also provides connections for a Remote Temperature Sensor (RTS) and Remote Meter (RM-1).

The major features of the SunSaver Duo are shown in figure 1 below. An explanation of each feature is provided.

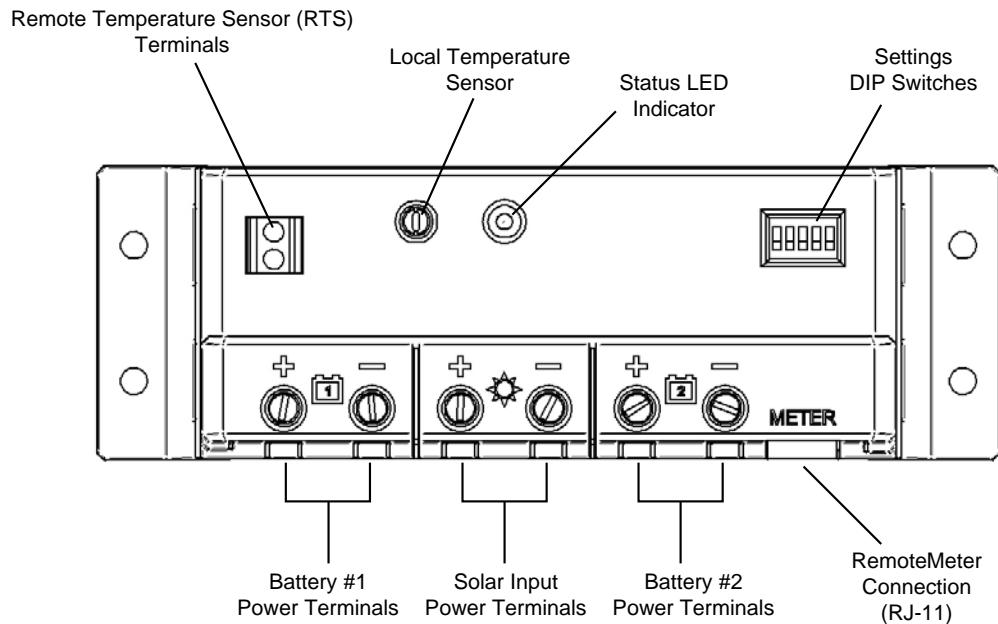


Figure 1. SunSaver Duo features

Remote Temperature Sensor (RTS) Terminals

A connection point for a Morningstar RTS (optional) to remotely monitor battery temperature.

Local Temperature Sensor

Measures ambient temperature. Battery regulation is adjusted accordingly.

Status LED Indicator

Provides system status and error indication.

Settings DIP Switches

Adjustment switches that define the operating parameters of the SunSaver Duo.

Battery #1 Power Terminals

Power connections for battery #1.

Solar Input Power Terminals

Power connections for solar module(s).

Battery #2 Power Terminals

Power wire connections for battery #2.

Remote Meter Connection (RJ-11)

A communication port for the Morningstar Remote Meter.

2.2 Morningstar Accessories

Remote Temperature Sensor (Model: RTS)

The RTS measures battery temperature for accurate temperature compensation. Use when the ambient battery temperature differs from the ambient controller temperature by +/- 5 degrees C or more. An RTS can be attached to the SunSaver Duo at any time. The SunSaver Duo will automatically use the RTS for battery temperature compensation when installed. The standard cable length is 25 ft (7.6 m), and this can easily be extended to 100 ft (30 m) or longer. Installation instructions are provided with the RTS.

Remote Meter (Model: RM-1)

The digital Remote Meter displays system operating information, error indications, and self-diagnostic read-out. Information is displayed on a backlit 4-digit custom LCD display. The large numerical display and icons are easy to read and large buttons make navigating the meter menus easy. Additionally, a status LED and three (3) battery SOC LEDs provide a quick reference to system operation.

The meter can be mounted in a wall or on the surface of a wall in a frame. The RM-1 is supplied with 32.8 ft (10.0 m) of cable, a mounting frame, and mounting screws. The RM-1 connects to the MeterBus port on the SunSaver Duo.

PC MeterBus Adapter (Model: MSC)

The MSC converts the MeterBus RJ-11 electrical interface to a standard RS-232 interface which allows communication between the SunSaver Duo and a PC. The MSC is required for programming custom charging setpoints and for logging data. Visit Morningstar's website for more information.

3.0 Installation

3.1 General Installation Notes

- Read through the entire installation section before beginning installation.
- Be very careful when working with batteries. Wear eye protection. Have fresh water available to wash and clean any contact with battery acid.
- Use insulated tools and avoid placing metal objects near the batteries.
- Explosive battery gasses may be present during charging. Be certain there is sufficient ventilation to release the gasses.
- Do not install in locations where water can enter the controller.
- Loose power connections and/or corroded wires can melt wire insulation, burn surrounding materials, or even cause fire. Ensure tight connections and use cable clamps to secure cables in mobile applications.
- Only charge lead-acid batteries.
- Each of the two SunSaver Duo *Battery* connections may be wired to one battery or a bank of batteries. The following instructions refer to a singular battery, but it shall be implied that each battery connection can be made to either one battery or a group of batteries wired in parallel to form a 12 volt battery bank.

3.2 Adjusting DIP Switches

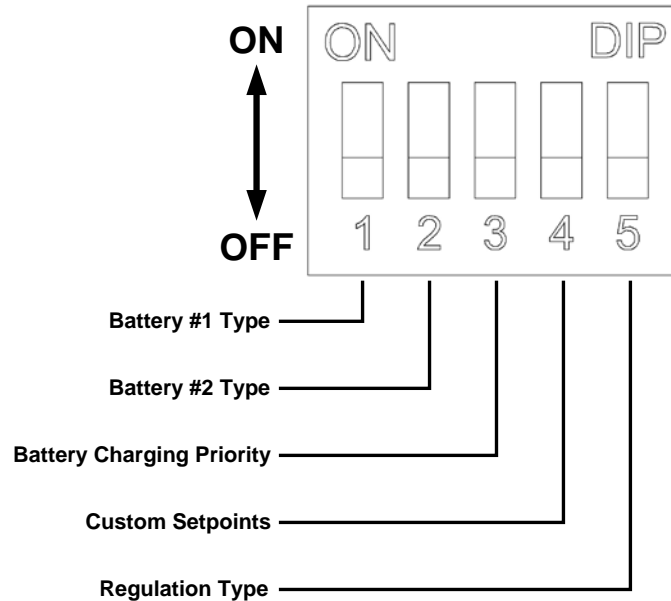


Figure 2. Setting DIP switch definitions

DIP Switches 1 & 2 – Battery Type Select

The SunSaver Duo charges both sealed and flooded lead-acid batteries per the charging specifications in table 1 below. Sealed batteries are typically maintenance-free batteries that do not require water. Flooded batteries have removable caps that allow the addition of water when needed. DIP switches 1 & 2 select the battery type for Battery #1 and Battery #2 respectively. Choose the correct battery type for each battery.

DIP Switch OFF: Sealed battery type (factory pre-set)
 DIP Switch ON: Flooded battery type

Setpoint	Battery Type	
	Sealed	Flooded
Absorption Voltage	14.1 V	14.4 V
Float Voltage	13.7 V	13.7 V
Boost Voltage	X	14.8 V
Boost Time	X	2 hrs
Boost Interval	X	28 days

Table 1. Standard battery charging programs

DIP Switch 3 – Battery Charging Priority

Select the percentage of available charge current to each battery.

The 90% / 10% priority setting allows *Battery #1* to receive 90% of available charging current, while *Battery #2* receives 10% of charging current. This setting is ideal for RV and boat systems where a “house” bank requires most of the available charge current and a separate engine starter battery requires only a “trickle charge” to remain topped-off. When *Battery #1* reaches full charge, more charge current will be diverted to *Battery #2* as needed.

The 50% / 50% priority setting splits available charge current equally between two battery banks. This priority setting is ideal for systems with two equal-sized battery banks that require simultaneous charging. If one battery bank reaches full charge before the other, more charge current will be diverted to the lower state-of-charge battery.

DIP Switch 3 OFF: 90% / 10% Priority (factory pre-set)

DIP Switch 3 ON: 50% / 50% Priority

DIP Switch 4 – Custom Setpoints

If the standard battery type settings are not suitable, custom charging setpoints can be programmed using a PC and a Morningstar Serial to Meterbus adapter (not included). See Morningstar's website for more information.

DIP Switch 4 OFF: Factory settings (factory pre-set)

DIP Switch 4 ON: Custom programmed settings

DIP Switch 5 – Regulation Type

The SunSaver Duo is a PWM charge controller. Some systems with sensitive equipment may experience noise interference from PWM charging. Refer to the FAQ in section *4.0 Troubleshooting* for tips on how to reduce or eliminate PWM noise.

If the noise cannot be satisfactorily reduced, place DIP switch 5 in the ON position. While less efficient, Slow Switching regulation will significantly reduce or eliminate PWM noise.

DIP Switch 5 OFF: PWM Regulation (factory pre-set)

DIP Switch 5 ON: Slow Switching Regulation

3.3 Mounting



NOTE: When mounting the SunSaver Duo, ensure free air flow through the controller heat sink fins. There should be at least 3 inches (75 mm) clearance above and below the controller to allow for cooling. If mounted in an enclosure, ventilation is highly recommended.



WARNING: Never install the SunSaver Duo in a sealed enclosure with vented (flooded) batteries! Do not install in a confined area where battery gasses can accumulate. Risk of explosion!

1. Locate the SunSaver Duo on a vertical surface protected from direct sun, high temperatures, and water.
2. Place the SunSaver Duo in the location where it will be mounted. Verify that there is sufficient room to run wires and that there is ample room above and below the controller for air flow.

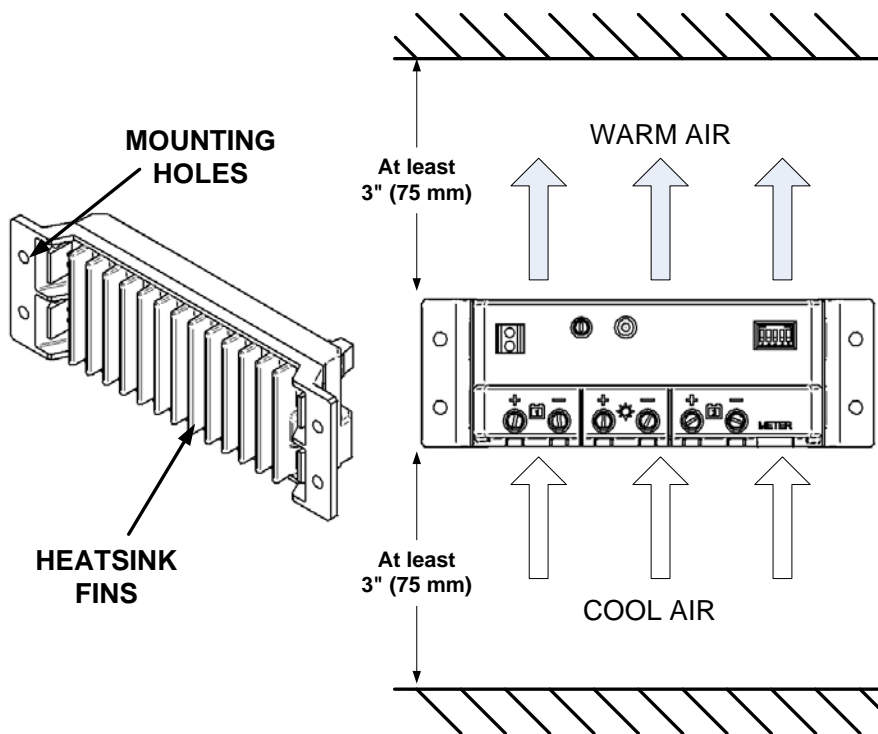


Figure 3. Mounting and cooling

3. Use a pencil or pen to mark the four (4) mounting hole locations on the mounting surface.
4. Remove the controller and drill 3/32" (2.5 mm) holes in the marked locations.
5. Place the controller on the surface and align the mounting holes with the drilled holes in step 4. Secure the controller in place using the mounting screws (included).

3.4 Wiring

Three system wiring examples are provided for RV's and caravans, boats, and non-mobile installations. Reference the appropriate wiring diagram for your installation.



CAUTION: Protect system wiring from sharp edges and foot traffic. Use grommets and wire loom where necessary.



NOTE: Power connection order is not critical. A connection order has been provided for each installation type for instructional purposes only.



NOTE: Wiring charts on the back page of this manual provide minimum recommended wire size.



NOTE: The SunSaver Duo can charge just 1 battery connected to either the Battery #1 or Battery #2 connections. If Battery #1 or Battery #2 is missing, the remaining battery will be charged with 100% of available power regardless of the charging priority setting.

RV / CARAVAN INSTALLATION

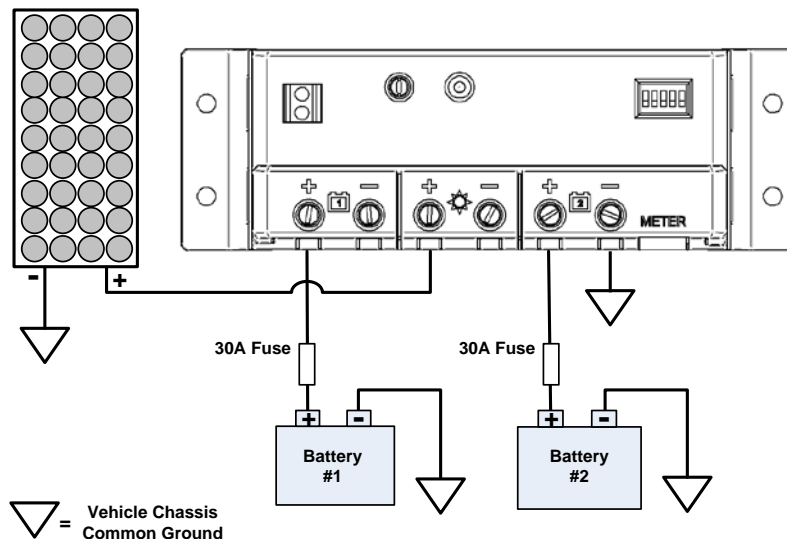


Figure 4. Typical RV / Caravan wiring diagram



NOTE: To ensure good vehicle chassis ground connections:

- remove all paint, grease, debris at grounding point.
- use sandpaper/emery cloth to expose chassis bare metal.
- use ring terminal and star- or lock-washer to secure cable.
- dielectric grease can be used to minimize corrosion.



NOTE: A wire jumper is installed across the Remote Temperature Sensor (RTS) terminals at the factory. The jumper can prevent false RTS detection due to condensation on the SunSaver Duo. Do not remove this jumper unless an optional RTS is to be installed.

Before proceeding, mount the solar module(s) per the manufacturer's instructions. If adding batteries that are not factory installed, they should be safely secured in their desired location. The SunSaver Duo should be mounted per the instructions in section *2.3 Mounting*.

Step 1: Ground SunSaver Duo

Ground a negative terminal of the SunSaver Duo to the vehicle chassis. The SunSaver Duo has a common negative; it does not matter which negative terminal is grounded. Use wire with black insulation, appropriately sized for the system charging current (see back page).

Step 2: Battery #1 (“house” battery bank)

Connect Battery #1 to the SunSaver Duo as shown in figure 4. In RV installations, Battery #1 should be the “house” or cabin battery. If the cabin battery was factory installed, battery negative should already be grounded to the vehicle chassis. Use a short piece of black wire to ground the cabin battery if necessary. Use red wire for battery positive. Use wire appropriately sized for the system charging current (see back page).

An in-line fuse holder should be wired in the positive line no further 12” (305 mm) from the battery post. Do not insert a fuse in the fuse holder at this time.

Step 3: Battery #2 (engine battery)

Connect Battery #2 to the SunSaver Duo as shown in figure 4. The engine battery should already be grounded to the vehicle chassis. Use red wire for battery positive. Use wire appropriately sized for the system charging current (see back page).

An in-line fuse holder should be wired in the positive line no further 12” (305 mm) from the battery post. Do not insert a fuse in the fuse holder at this time.

Step 4: Solar

Ground the solar module(s) to the vehicle chassis with black wire. Multiple 12V nominal solar modules may be wired together in parallel and grounded with one wire. Use red wire for the solar positive connection to the SunSaver Duo. Use wire appropriately sized for the system charging current (see back page).

Confirm that the solar modules are wired for 12V nominal output before connecting them to the SunSaver Duo. In full sun, the output voltage of the solar modules should be 18 – 25 Volts before connection to the SunSaver Duo.

Upon connection of the Solar positive wire, the SunSaver Duo should begin the start-up sequence, flashing the Status LED 3 times.

Step 5: Remote Temperature Sensor (optional)

An optional Remote Temperature Sensor (purchased separately) measures the temperature directly at the battery for more accurate battery charging. Remove the wire jumper from the RTS terminals before installing the sensor. The RTS includes full installation instructions.

Step 6: Insert Fuses

Insert a 30 A dc-rated fuse into the fuse holder in each of the battery positive wires. If the solar module(s) is in full sun, charging should begin.

BOAT INSTALLATION



WARNING: Only ground the DC system to battery negative (one-point ground). Never ground the DC system to the boat bonding system or to any metallic part, fixture, or component on the boat.



NOTE: An existing common ground wire may connect the negative battery terminals of two or more on-board batteries. This cable will not interfere with the SunSaver Duo operation.



NOTE: A wire jumper is installed across the Remote Temperature Sensor (RTS) terminals at the factory. The jumper can prevent false RTS detection due to condensation on the SunSaver Duo. Do not remove this jumper unless an optional RTS is to be installed.

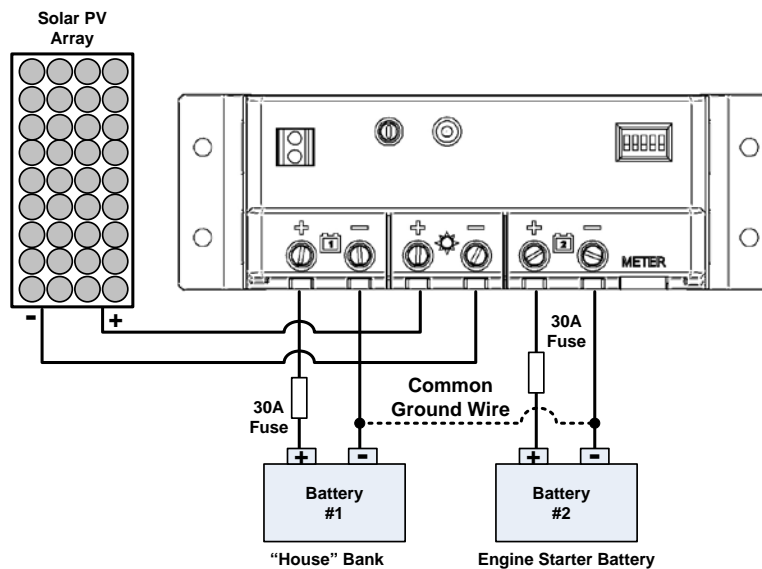


Figure 5. Typical boat wiring diagram

Before proceeding :

- Install the solar module(s) per the manufacturer's instructions.
- Batteries should be installed per the U.S Coast Guard regulations for pleasureboats. The batteries must be secured to prevent movement and the battery terminals covered to prevent arcing. A battery box to contain any spilled battery acid is strongly recommended.
- The SunSaver Duo should be mounted per the instructions in section 2.3 *Mounting*.

Step 1: Battery # 1 (“house” battery bank)

Wire the negative terminal of the “house” battery to the negative *Battery 1* terminal on the SunSaver Duo with black wire as shown in figure 5. Wire the “house” battery positive power cable as shown in figure 5. Wire a DC-rated in-line fuse holder in the cable. The length of cable between the Battery (+) post and in-line fuse holder should be no longer than 12” (305 mm). Use wire with red insulation, appropriately sized for the system charging current (see back page). Do not insert a fuse in the fuse holder at this time.

Step 2: Battery # 2 (“engine” battery)

Wire the negative terminal of the engine battery to the negative *Battery 2* terminal on the SunSaver Duo with black wire as shown in figure 5. Wire the engine battery positive power cable as shown in figure 5. Wire a DC-rated in-line fuse holder in the cable. The length of cable between the Battery (+) post and in-line fuse holder should be no longer than 12” (305 mm). Use wire with red insulation, appropriately sized for the system charging current. Do not insert a fuse in the fuse holder at this time.

Step 3: Solar

Connect the solar module(s) output to the *Solar* input connection of the SunSaver Duo. Multiple 12V nominal modules may be wired together in parallel and wired to the SunSaver Duo with one pair of wires. Use red wire for solar positive and black wire for solar negative.

Confirm that the modules are wired for 12V nominal output before connecting them to the SunSaver Duo. Double-check polarity before connection. In full sun, the output voltage of the solar modules should be 18 – 25 Volts before connection to the SunSaver Duo.

Upon connection of the Solar positive wire, the SunSaver Duo should begin the start-up sequence, flashing the Status LED 3 times.

Step 4: Remote Temperature Sensor (optional)

An optional Remote Temperature Sensor (purchased separately) measures the temperature directly at the battery for more accurate battery charging. Remove the wire jumper from the RTS terminals before installing the sensor. The RTS includes full installation instructions.

Step 5: Insert Fuses

Insert a 30 A dc-rated fuse into the fuse holder in each of the battery positive wires. If the solar module(s) is in full sun, charging should begin.

NON-MOBILE / PERMANENT DWELLING INSTALLATION

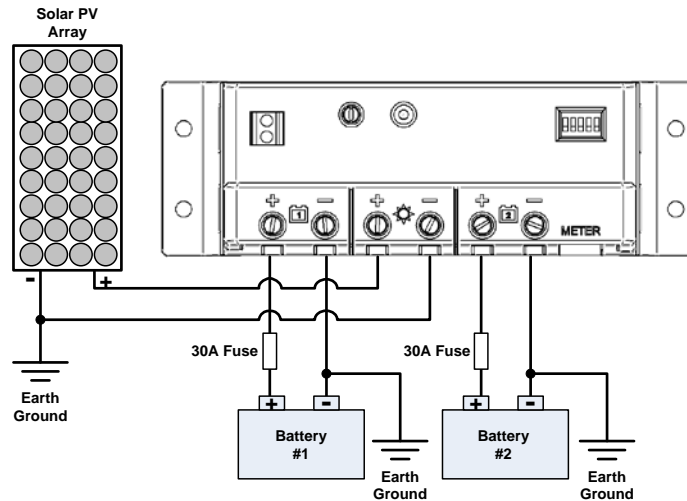


Figure 6. Terrestrial wiring diagram



NOTE: Earth grounding is recommended but not required. Grounding helps protect against lightning by providing a direct path to earth. In areas prone to frequent lightning strikes, external lightning arrestors and/or other means of protection may be needed.



NOTE: If a Remote temperature Sensor (RTS) is not used, inserting a jumper across the RTS terminals can prevent false RTS detection due to condensation on the SunSaver Duo. Secure a short piece of wire across the RTS terminals.

Step 1: Battery #1

Connect Battery #1 to the SunSaver Duo as shown in figure 6. If charging priority is set to the default 90% / 10% setting, battery 1 will receive 90% priority. Use red wire for battery positive and black for battery negative. An in-line fuse holder should be wired in the positive line no further 12" (305 mm) from the battery post. Earth ground the battery negative post if desired using a short piece of black wire appropriately sized for the system charging current (see back page). Do not insert a fuse in the fuse holder at this time.

Step 3: Battery #2

Connect Battery #2 to the SunSaver Duo as shown in figure 6. Use red wire for battery positive and black for battery negative. An in-line fuse holder should be wired in the positive line no further 12" (305 mm) from the battery post. Earth ground the battery negative post if desired using a short piece of black wire appropriately sized for the system charging current (see back page). Do not insert a fuse in the fuse holder at this time.

Step 4: Solar

Connect the solar module(s) output to the *Solar* input connection of the SunSaver Duo. Multiple 12V nominal modules may be wired together in parallel and wired to the SunSaver Duo with one pair of wires. Use appropriately sized red wire for solar positive and black wire for solar negative.

Confirm that the modules are wired for 12V nominal output before connecting them to the SunSaver Duo. Double-check polarity before connection. In full sun, the output voltage of the solar modules should be 18 – 25 Volts before connection to the SunSaver Duo.

Upon connection of the Solar positive wire, the SunSaver Duo should begin the start-up sequence, flashing the Status LED 3 times.

Earth ground solar negative if desired using a short piece of black wire appropriately sized for the system charging current (see back page). Do not insert a fuse in the fuse holder at this time.

Step 5: Remote Temperature Sensor (optional)

An optional Remote Temperature Sensor (purchased separately) measures the temperature directly at the battery for more accurate battery charging. Remove the wire jumper from the RTS terminals before installing the sensor. The RTS includes full installation instructions.

Step 6: Insert Fuses

Insert a 30 A dc-rated fuse into the fuse holder in each of the battery positive wires. If the solar module(s) is in full sun, charging should begin.

4.0 Operation

4.1 LED Indications

The Status LED indicates system operational state and any existing error conditions. Table 1 below defines the Status LED indications.

Status LED	Operating State
Off : 5 second heartbeat ¹	Night
Green : on solid (5 second heartbeat ²)	Bulk Charging
Green : Flashing ³	Absorption, Float, or Equalize
Red : flashing	Error
Red : on solid (5 second heartbeat ²)	Critical Error

Table 1. Status LED definitions

¹ heartbeat indication flickers the Status LED on briefly every 5 seconds

² heartbeat indication flickers the Status LED off briefly every 5 seconds

³ Battery 1 and Battery 2 must both be in regulation

Red (flashing) Errors

- reverse polarity battery connection.
- reverse polarity solar connection.
- solar over-current condition.
- high temperature.
- damaged or disconnected Remote Temperature Sensor.
- high voltage disconnect.

Red (on solid) Critical Errors

- damaged local temperature sensor.
- damaged heatsink temperature sensor.

For more information on errors, see *Protections* section 4.3

4.2 Charging Information

The SunSaver Duo is an advanced, fully automatic solar battery charger. No adjustments are required except to select the battery type at installation. Each battery is charged independently. The SunSaver Duo has a 4-stage charging algorithm as shown in figure 7.

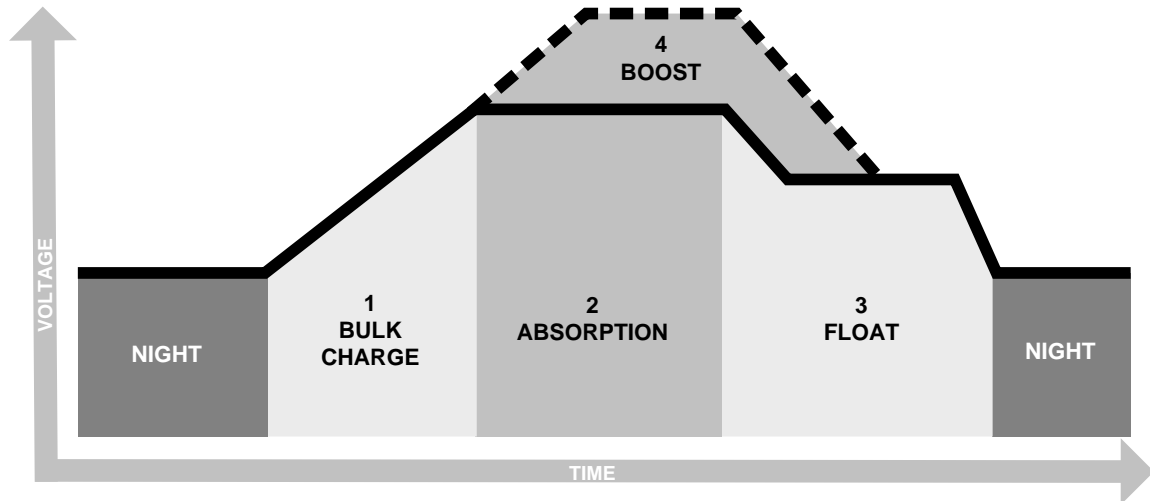


Figure 7. SunSaver Duo charging algorithm

1. **Bulk Charge** – Recharging with 100% of available solar energy.
2. **Absorption** – PWM constant-voltage regulation to prevent heating and excessive battery gassing. Pulse charging to restore full battery capacity.
3. **Float** – After battery is fully charged, SunSaver Duo reduces to a float or “trickle charge”.
4. **Boost** (Flooded battery type only – Every 28 days) – A boost charge for flooded batteries, bringing uneven cell voltages into balance and extending battery life. Sometimes called an equalization charge.



NOTE: A 15V maximum battery voltage limit prevents damage to sensitive DC loads.

4.3 Protections

Over-current – Solar charge current exceeds the current rating of the SunSaver Duo. Automatically reconnects in 30 seconds.



CAUTION: A mis-wired connection of a battery to the *Solar* input when a second battery is already connected to a *Battery* input may damage the SunSaver Duo.

High Temperature – The heatsink temperature is above safe limits. Automatically reconnects when heatsink cools to a safe temperature.

Short Circuit – Solar input power wires are short-circuited. Charging automatically resumes when the error is cleared.

Battery Reverse Polarity – Battery 1 or Battery 2 power connections are connected backwards. Error clears when the mis-wire is corrected.

Damaged Local Temperature Sensor - The local ambient temperature sensor is short-circuited or damaged. Charging stops to avoid over- or under-charging. This is a critical error.

Damaged Internal Temperature Sensor – The internal heatsink temperature sensor reading is damaged. This is a critical error.

Remote Temperature Sensor (RTS) - A bad RTS connection or severed RTS lead has disconnected the temperature sensor during charging. Charging automatically resumes when the problem is fixed. To resume operation without an RTS, disconnect all power to the SunSaver Duo and then reconnect.

High Voltage Transients – Battery 1, Battery 2, and Solar input power connections are protected against high voltage transients. In lightning prone areas, additional external suppression is recommended.

4.4 Inspection and Maintenance

The following inspections and maintenance tasks are recommended at least two times per year for best controller performance.

- ✓ Tighten all terminals. Inspect for loose, broken, or corroded connections.
- ✓ Verify all wire clamps and tie-downs are secure.
- ✓ Check that the controller is mounted in a clean protected environment free of dirt, insects, nests, and corrosion.
- ✓ Check enclosure ventilation and air flow holes for obstructions if applicable.
- ✓ Verify LED indication is consistent with the system conditions at that time.
- ✓ Verify that the Remote Temperature Sensor (if used) is securely attached to the battery.

5.0 Troubleshooting

5.1 Error Indications



NOTE: If an optional Morningstar *Remote Meter* is attached to the SunSaver Duo, use the self-diagnostic feature to determine the cause of the error indication. Refer to the Remote Meter Operator's Manual for more information.

Red (flashing) Errors

See section 4.1 LED Indications for a list of possible errors.

Test the following:

- ✓ Check for correct polarity: *Battery 1*, *Battery 2*, and *Solar* connections.
- ✓ Verify that the current output of the solar module(s) is less than 25 Amps.
- ✓ Inspect the Remote Temperature Sensor connection and leads for breaks.
- ✓ Measure battery 1 and battery 2 voltage. If either battery voltage measurement exceeds 15.5 V, a High Voltage error has occurred.
 - If the engine is running, turn it off to see if the error clears. The engine alternator may be over-charging the battery.
 - Check the solar input wiring. Solar + may be wired to a battery + terminal.
 - The SunSaver Duo may be damaged, resulting in over-charging.
- ✓ If the ambient temperature at the controller is hot or there is little ventilation, the SunSaver Duo may have an error due to high temperature. Add ventilation, relocate the controller to a cooler location, or reduce charge current.

Red (solid on) Errors

A solid red Status LED indicates a critical error. See section 4.1 LED Indications for a list of possible errors. Inspect the *Local Temperature Sensor* (LTS) for corrosion or breaks. Alternatively, the internal heatsink temperature sensor may be damaged. The SunSaver Duo should be returned to your Morningstar dealer for service.

5.2 General Problems

Problem: The battery(s) will not recharge or recharges slowly.

Solution: If the optional *Remote Meter* is attached, verify that solar charge current is being produced by the solar modules. Otherwise, use a multi-meter to measure solar current. If no current is measured, check the solar module(s) wiring.

Verify that the priority setting (DIP switch #3) is set to provide the correct percentage of charge current to the problem battery(s).

The time required to recharge a battery or battery bank depends on:

- The amount of current produced by the solar module(s).
- percentage of charge current provided.
- initial “state of charge” of the battery(s).
- size of the battery bank.
- age of the batteries.
- amount of energy drawn out of the battery by system loads.

Consult your Morningstar dealer for proper system design.

Problem: The solar module(s) are in full sun but the Status LED is off, indicating that the SunSaver Duo is in Night state.

Solution: Check the solar module(s) wiring and connections. Disconnect the solar module(s) from the SunSaver Duo. In full sun, measure the output voltage from the module(s). The voltage should be between 17 V and 25 V.

Problem: A buzzing noise can be heard in a radio or communications equipment.

Solution: The buzzing noise may be produced by the vehicle alternator or the PWM regulation of the SunSaver Duo.

- 1) If this is a mobile application, turn off the engine. If the noise stops, the engine alternator is producing noise.
- 2) Turn off any other charging sources on the battery. If the noise stops, an alternate charging source is producing noise.
- 3) Remove the Solar(+) connection on the SunSaver Duo. If the noise stops, the SunSaver Duo PWM regulation is producing noise.

To reduce or eliminate noise:

- Ensure good system grounding.
- Minimize cable runs between system components.
- Do not run equipment signal lines parallel to system power cables.
- Twist power cable pairs(+/-) to reduce radiated noise.
- Increase distance between the controller and the equipment experiencing noise.
- Increase the distance between the equipment antenna and the system power cables.
- Add a line filter such as a car audio alternator filter.

If the noise still persists, adjust the *Regulation Type* DIP switch on the SunSaver Duo. See section 2.2 *Configuring DIP Switches*

Problem: The SunSaver Duo reports E05 – removed RTS error. No RTS is connected.

Solution: Condensation may be causing false detection of the RTS. Water dew creates a resistance across the terminals. Power down the unit and place a wire jumper across the RTS terminals. Re-apply power. The jumper prevents false detection.

6.0 Limited Warranty

The SunSaver Duo charge controller is warranted to be free from defects in material and workmanship for a period of FIVE (5) years from the date of shipment to the original end user. Morningstar will, at its option, repair or replace any such defective products.

CLAIM PROCEDURE

Before requesting warranty service, check the Operator's Manual to be certain that there is a problem with the controller. Return the defective product to your authorized Morningstar distributor with shipping charges prepaid. Provide proof of date and place of purchase.

To obtain service under this warranty, the returned products must include the model, serial number and detailed reason for the failure, the module type, array size, type of batteries and system loads. This information is critical to a rapid disposition of your warranty claim.

Morningstar will pay the return shipping charges if the repairs are covered by the warranty.

WARRANTY EXCLUSIONS AND LIMITATIONS

This warranty does not apply under the following conditions:

- Damage by accident, negligence, abuse or improper use.
- PV or load currents exceeding the ratings of the product.
- Unauthorized product modification or attempted repair
- Damage occurring during shipment

THE WARRANTY AND REMEDIES SET FORTH ABOVE ARE EXCLUSIVE AND IN LIEU OF ALL OTHERS, EXPRESS OR IMPLIED. MORNINGSTAR SPECIFICALLY DISCLAIMS ANY AND ALL IMPLIED WARRANTIES, INCLUDING, WITHOUT LIMITATION, WARRANTIES OF MERCHANTABILITY AND FITNESS FOR A PARTICULAR PURPOSE. No Morningstar distributor, agent or employee is authorized to make any modification or extension to this warranty.

MORNINGSTAR IS NOT RESPONSIBLE FOR INCIDENTAL OR CONSEQUENTIAL DAMAGES OF ANY KIND, INCLUDING BUT NOT LIMITED TO LOST PROFITS, DOWNTIME, GOODWILL OR DAMAGE TO EQUIPMENT OR PROPERTY.

8 Pheasant Run
Newtown, PA 18940 USA
Tel 215-321-445 Fax 215-321-4458
Email: info@morningstarcorp.com
Website: www.morningstarcorp.com

7.0 Technical Specifications

Electrical

- **Nominal system voltage** 12 V
- **Max. solar current** 25 A
- **Battery voltage range** 1 V – 15 V
- **Max. solar voltage** 30 V
- **Self-consumption** 5.5 mA (night)
10.0 mA (charging)
- **Accuracy**
 - Voltage 1.0 %
 - Current 2.0 %
- **Meterbus Connection** 6-pin RJ-11
- **Transient Surge Protection** 1500 Watts, all power connections

Battery Charging

- **Regulation Method** 300 Hz PWM or
Slow Switching (10 Hz max.)
- **Temp. Compensation Coefficient** -30 mV / °C (25°C reference)
- **Temp. Compensation Range** - 30°C to + 60°C
- **Temp. Compensated Setpoints** Absorption, Float, Equalize

Battery Setpoints

- | | Sealed | Flooded |
|--|---------------|----------------|
|--|---------------|----------------|

Mechanical

- **Power terminals wire size (max.)**
 - Solid #6 AWG / 16 mm²
 - Multistrand #6 AWG / 16 mm²
 - Fine strand #8 AWG / 10 mm²
 - Terminal Diameter 0.210 in / 5.4 mm
- **Power terminals torque (max.)** 35 in-lb / 4 Nm
- **RTS terminals wire size (max.)**
 - Wire gauge (min) #22 AWG / 0.3 mm²
 - Wire gauge (max) #12 AWG / 3.0 mm²
- **RTS terminals torque (max.)** 0.4 Nm / 3.5 in-lb
- **Dimensions** see *inside front cover*
- **Weight** 0.57 lbs / 0.26 kg

Environmental

- **Operating temperature** -40°C to +45°C
- **Storage temperature** -40°C to +85°C
- **Humidity** 100% N.C.

*Specifications subject to change without notice.
Designed in the U.S.A.
Assembled in Taiwan*

MS-ZMAN-SSD01-D



Minimum Recommended Wire Gauge

Solar Amps	One Way Wire Distance (feet)				
	Wire Gauge (AWG)				
	14	12	10	8	6
2	70	112	180	287	456
4	35	56	90	143	228
8	18	28	45	72	114
12	12	19	30	48	76
16	9	14	23	36	57
20	7	11	18	29	46
25	6	9	14	23	36

3% Voltage drop, Annealed Copper Wire at 20°C

One-way wire distance: Solar ↔ SunSaver Duo or SunSaver Duo ↔ Battery

Solar Amps	One Way Wire Distance (meters)				
	Wire Gauge (mm ²)				
	2.0	3.0	5.0	8.0	13.0
2	21.3	34.1	54.9	87.5	139.0
4	10.7	17.1	27.4	43.6	69.5
8	5.5	8.5	13.7	21.9	34.7
12	3.7	5.8	9.1	14.6	23.2
16	2.7	4.3	7.0	11.0	17.4
20	2.1	3.4	5.5	8.8	14.0
25	1.8	2.7	4.3	7.0	11.0

3% Voltage drop, Annealed Copper Wire at 20°C

One-way wire distance: Solar ↔ SunSaver Duo or SunSaver Duo ↔ Battery

