

AGV Battery Systems



Motive Power Systems



Telecom/IT Battery Systems



Railway Battery Systems



Power Supply



Standby



OPzS

Vented lead-acid battery

Product features customer benefits

- Tubular plate
= **long life in cyclic operation**
- DIN product of up-to-date design
= **compatibility with existing installations**
- System terminal / system connector
= **exclude corrosion**
= **prevent short-circuits even during installation**
- AquaGen® recombinator (optional)
= **extremely long intervals between topping-up with water, even total freedom from maintenance**

Main applications:



IT/Telecom



Security lighting



Solar

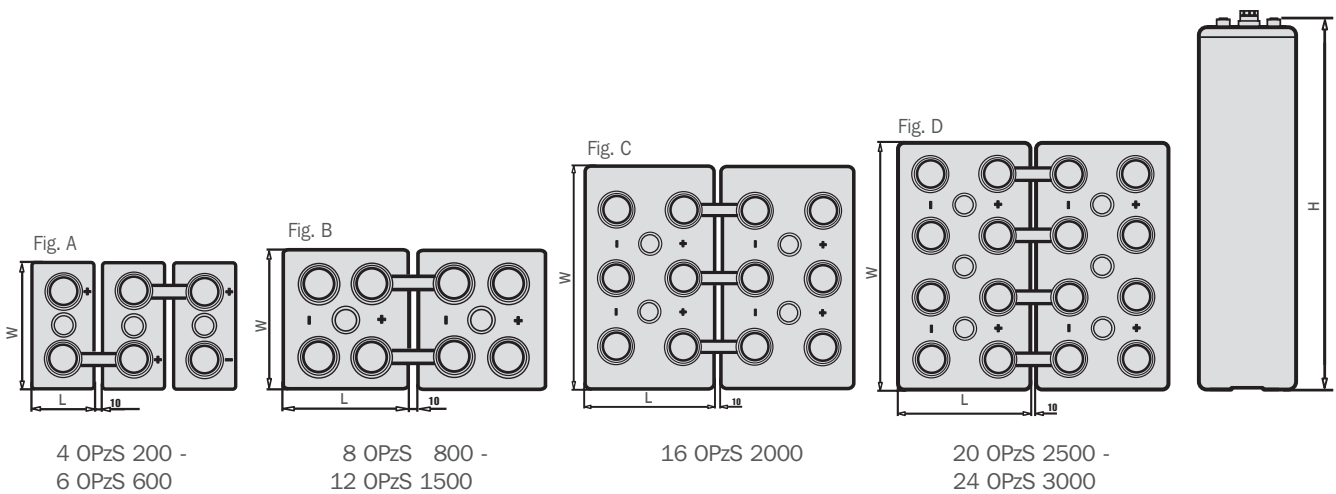


Type Overview

Capacities, dimensions and weights

Type	$C_{nom}/1.80\text{ V}$ Ah *	$C_{10}/1.80\text{ V}$ Ah **	$C_2/1.77\text{ V}$ Ah	$C_3/1.75\text{ V}$ Ah	$C_4/1.67\text{ V}$ Ah	Weight kg	Weight electrolyte kg (1.24 kg/l)	Length L mm	Width W mm	Height H mm	Figure
4 OPzS 200	200	213	182	161	118	17.2	4.9	105	208	420	A
5 OPzS 250	250	266	227	201	147	20.8	6.1	126	208	420	A
6 OPzS 300	300	320	272	241	177	24.3	7.2	147	208	420	A
5 OPzS 350	350	390	345	304	217	26.9	7.9	126	208	535	A
6 OPzS 420	420	468	414	364	261	31.5	9.4	147	208	535	A
7 OPzS 490	490	546	483	425	304	36.1	10.9	168	208	535	A
6 OPzS 600	600	686	592	511	353	44.8	12.9	147	208	710	A
8 OPzS 800	800	915	789	681	470	61.3	16.9	215	193	710	B
10 OPzS 1000	1000	1143	986	852	588	74.6	21.1	215	235	710	B
12 OPzS 1200	1200	1372	1184	1022	706	88.0	25.5	215	277	710	B
12 OPzS 1500	1500	1609	1398	1197	784	114.3	34.2	215	277	855	B
16 OPzS 2000	2000	2146	1864	1596	1045	151.5	48.0	215	400	815	C
20 OPzS 2500	2500	2682	2330	1995	1307	193.0	68.0	215	490	815	D
24 OPzS 3000	3000	3219	2796	2394	1568	246.0	76.0	215	580	815	D

* C_{nom} = Nominal capacity according to DIN 40736-1 ** C_{10} = Capacity at 10 h discharge



Life expectancy: up to 20 years

Suitable for cycling: up to 1500 discharges at 80 % DOD

HOPPECKE Batterien GmbH & Co. KG

PO. Box 1140 · D-59914 Brilon
Bontkirchener Straße 1 · D-59929 Brilon-Hoppecke

Phone: + 49 (0) 29 63 61-0
Fax: + 49 (0) 29 63 61-2 70

Email: info@hoppecke.com
Internet: www.hoppecke.com