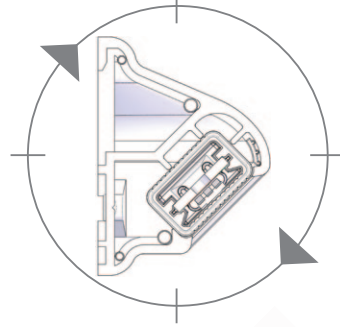


## ■ POWER ASTRO (LL2)

- Long life CREE Power LEDs
- Perfectly angled for awning lighting
- 80% less energy than halogen
- Quick to install, compact design
- Waterproof to IP66

Internal View

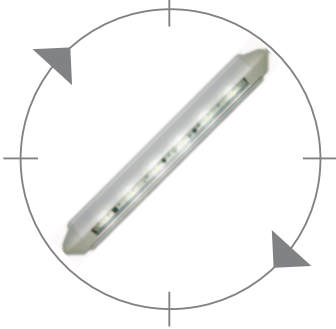


|| See technical specs overleaf >>>

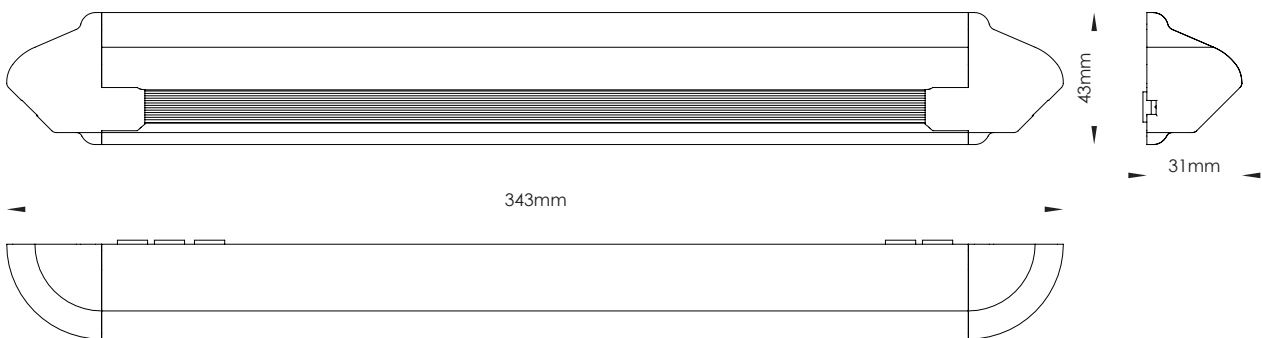
REV A



## POWER ASTRO (LL2)



- Long life CREE Power LEDs - This LED strip utilises CREE's high power LEDs. Each LED uses just 0.5W of energy to produce 46 lumens. The LEDs are mounted on an aluminium plate to ensure that light output is maintained and the heat is managed effectively.
- Perfectly angled for awning lighting - The Power Astro is perfectly angled to provide a wash of light to the floor whilst mounted on a vertical surface. This also makes it a perfect lighting source to illuminate work areas, shelving, lockers and much more.
- 80% less energy than halogen - To achieve the same amount of light using halogen bulbs you would need to use 37W of energy instead of only 4W.
- Quick to install, compact design - The LED strip sits within a slim aluminium housing which conceals the fixings; and with ABS snap-on end caps, this compact light unit is quick and easy to install.
- Waterproof to IP66 - The PCB, components and LEDs are completely encapsulated, protecting them against moisture ingress.



### Specification

ALL DIMENSIONS HAVE A TOLERANCE OF +/- 1mm

POWER ASTRO (LL2)

		LL2 CW6-0.5	LL2 CW6-0.5/2
Supply Voltage	VDC	12	24
Voltage Range	VDC	10-15	20-32
Average Current	A	0.33	0.16
Light Output	lm	280	280
LED Power	W	6 x 0.5W	6 x 0.5W
Weight	kg	0.23	0.23
Temp. Range	°C	-30 to +40	-30 to +40

REV 0

Calculations based on average LED values @ 13.28V (for 12V models) and @ 28V (for 24V)

E & OE