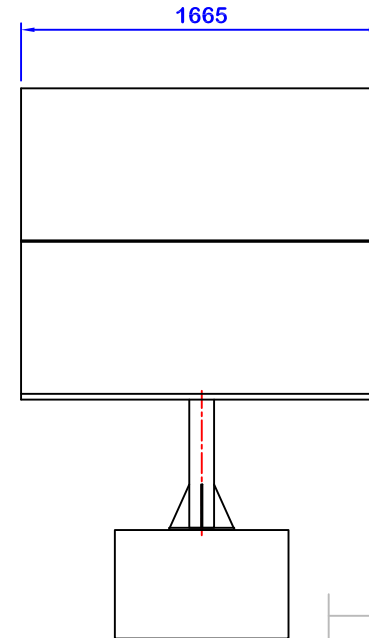
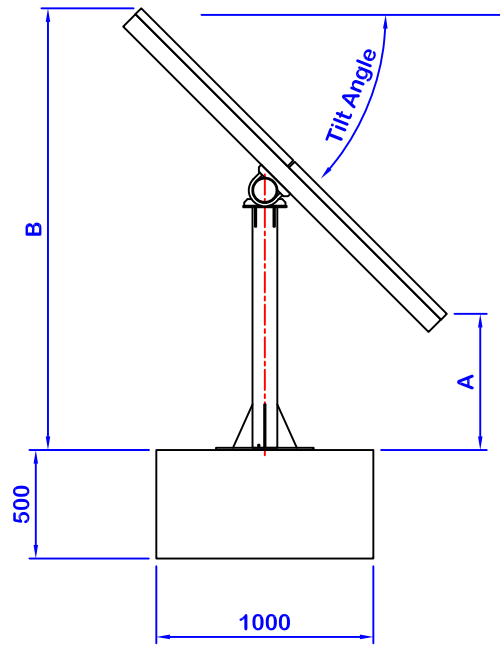
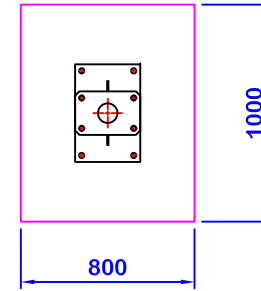


HEIGHT		
Tilt Angle	'A' mm	'B' mm
10°	1211	1557
20°	1035	1716
30°	864	1859
40°	703	1982
50°	557	2082
60°	430	2154

Design Data.

- Material: Mild steel
- Finish: Galvanised to BSEN ISO1461
- Fasteners: Galvanised steel
- Module fasteners: A4 stainless steel
- Wind Loading: 44 metres per second
- Foundation: Concrete Block (supplied by others)

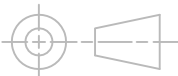
Ground Anchor bolt set c/w Template sold seperately



Tolerances.
 NO D.Point ±1mm
 1 D.Point ±0.5mm
 2 D.Points ±0.2mm

1	T Brooks	11.03.2013	Production Issue
ISSUE	DRAWN BY	DATE	CHANGE
SKN Type Medium Level Ground Mount Structure 2 x REC240PE panels			Product Type SKN Type
LANDSCAPE			No. 002 610

DO NOT SCALE



© 2013

This drawing is copyright and the property of BDS, it must not be copied in whole or in part, used for manufacture or otherwise disclosed without prior consent of BDS.