

PvMax3

The inexpensive unit assembly system for open areas

- Stability and high duration
- Perfectly harmonized components
- High level of corrosion resistance (100% aluminium)
- Quick and cost-effective project planning, also for special plannings
- Complete structural analysis incl. foundation calculation with dowel recommendation
- Swift mounting (partly pre-assembled support kits)



The **PvMax3 system** is a consequent new and further development on the basis of the PvMax2 and the system components from the IsoTop and FS product range that have been proven in installations with hundreds of megawatts.

The main target in the development was the optimization for high wind and snow loads and cost reduction at the same time. Due to the efficient material utilization, the reduction of the screwed connections to the required minimum, the maximization of the spans and last not least the construction related to real application, these guidelines could be met in an optimum manner.

All in all, a considerable cost reduction regarding material and mounting can be obtained.



Areas of application

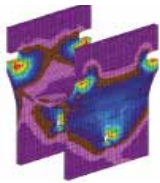
The grounding of open area plants on concrete foundations is mainly used in the following conditions:

- Small and medium-sized PV-plants (profitability limit regarding costs for soil expertise and trial pile drivings)
- Pile driving is not possible (soil is too soft or too rocky, landfill site or the terrain is not accessible for pile-driving machinery), or inexpensive cast-in-place concrete is available
- Narrow time limit



Optimization of the connections

- Optimized profile geometries, rationalized production
- Wider spans, thereby, the number of supports and foundations can possibly be reduced
- Partially pre-assembled support kits
- Considerable minimization of the mounting effort
- Optimum price-performance-ratio
- Shapely design

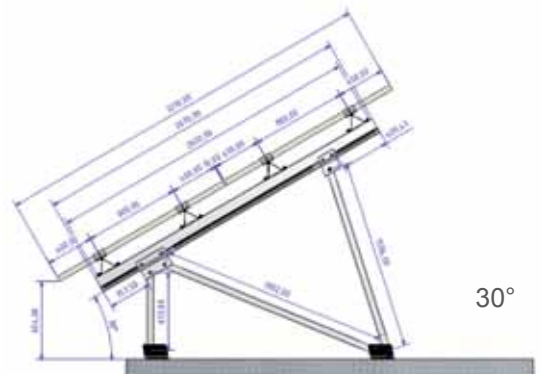
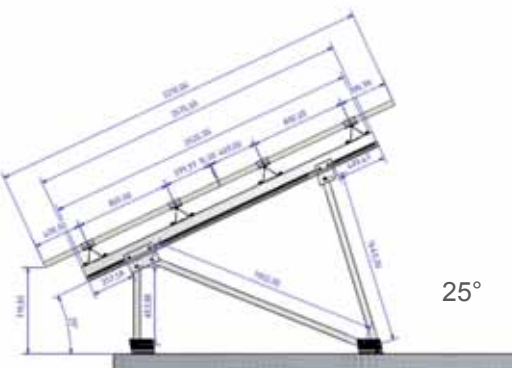
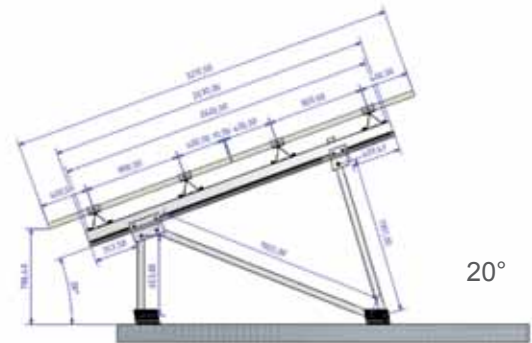
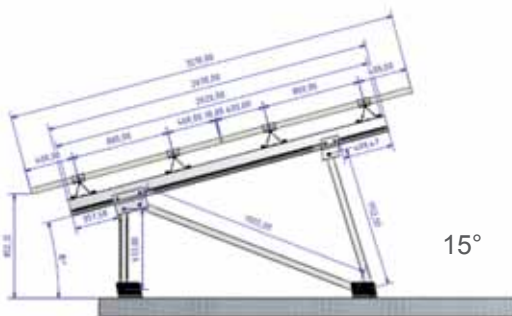


Front: 1 Concrete dowel



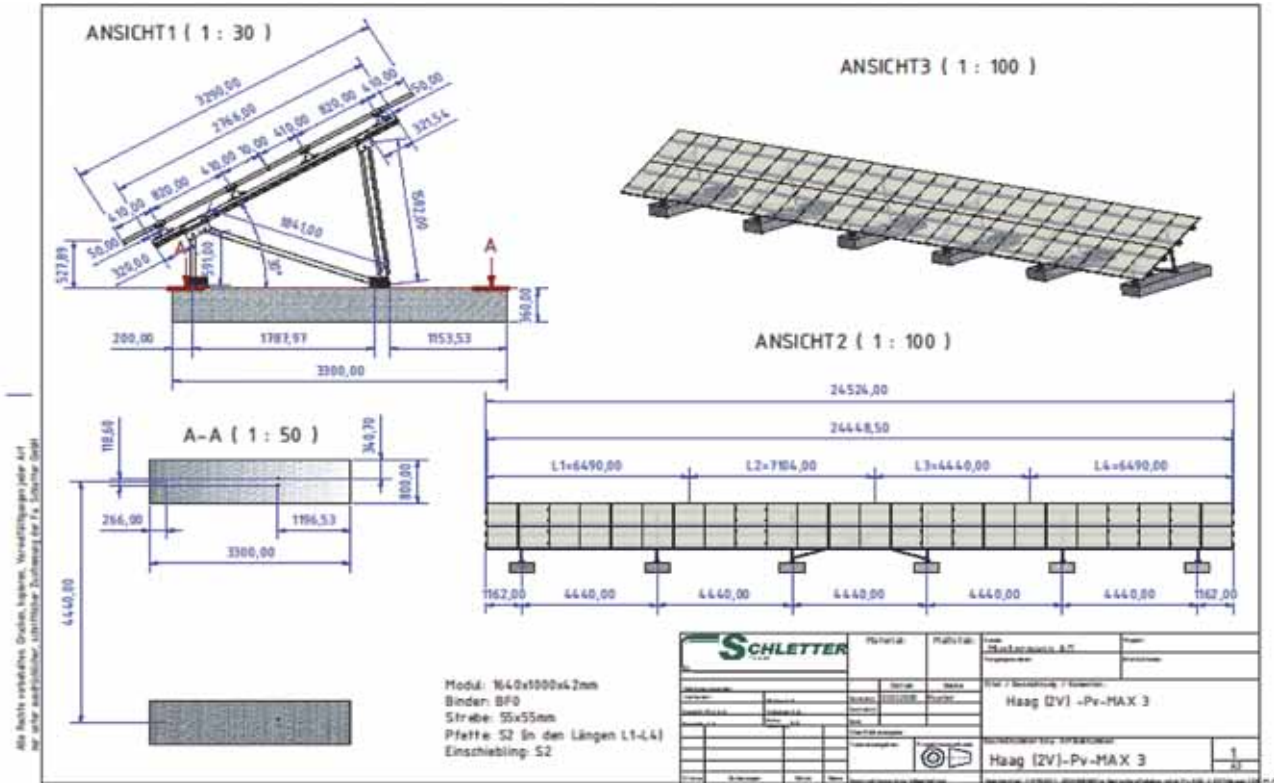
Rear: 2 Concrete dowels

Project planning of standardized racks

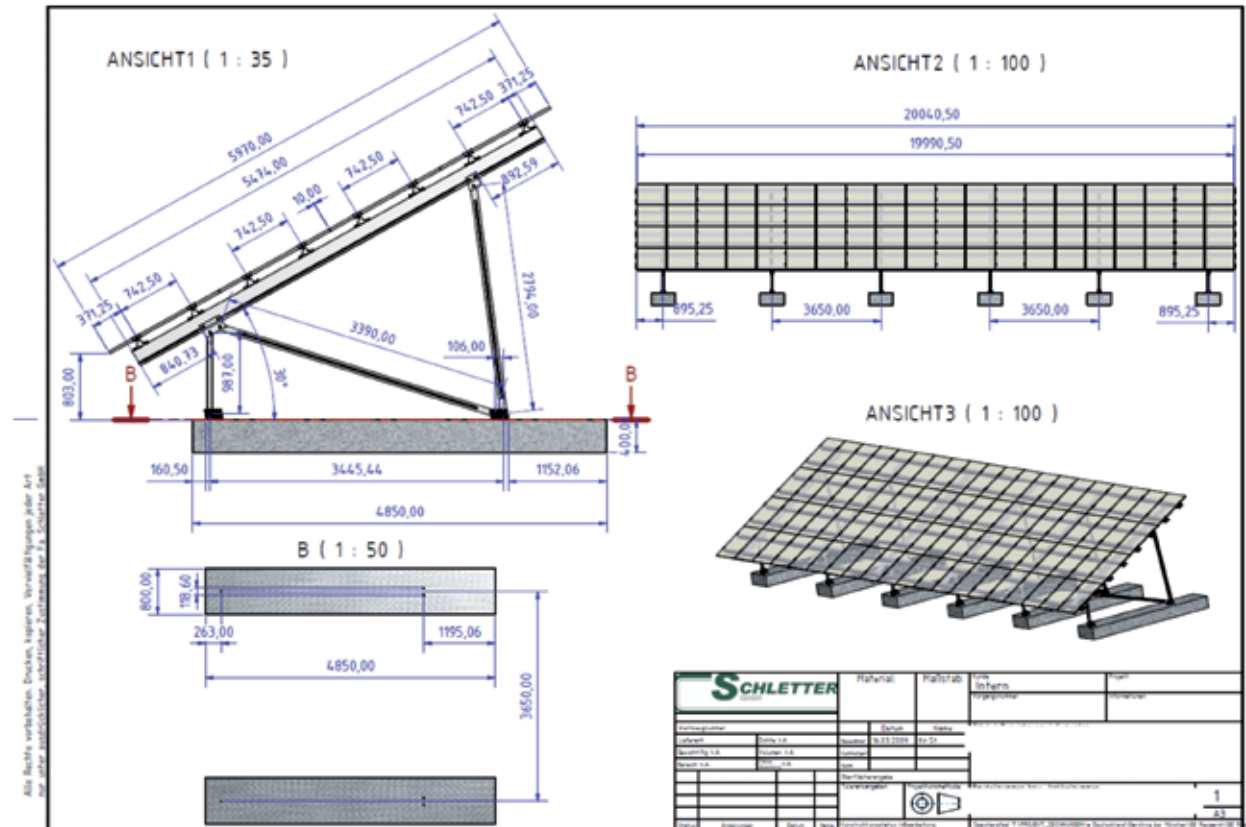


Example of a normal project planning

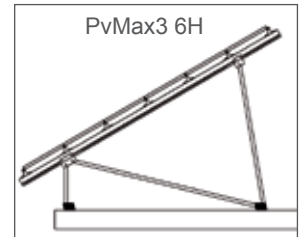
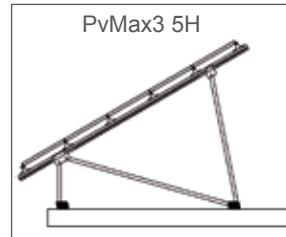
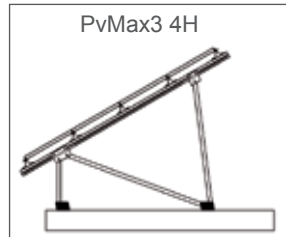
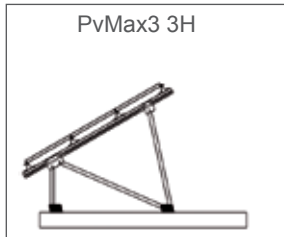
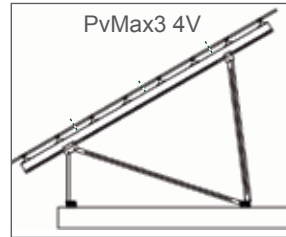
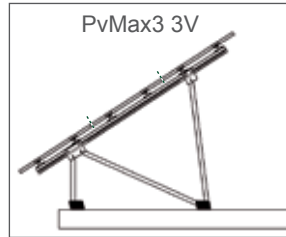
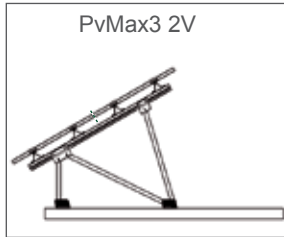
(guiding price offer, if an order is placed a rack drawing will be created)



Example of a special project planning



Mounting options



Technical data

Material	Module bearing profiles: Binders: Supports: Screws / nuts	Aluminium - special profiles of the S - series Aluminium - special profiles of the BF - series Aluminium - RHP profiles A2 – 70 / A4 – 80
Foundation	Concrete (The structural analysis of the system features specifications on reinforcement and dimensioning)	
Structural analysis	According to the current national standards (in Germany, DIN 1055/ EC 1) Structural analysis with specifications on foundation dimensioning as well as a dowel recommendation depending on the respective wind and snow loads that have to be considered.	

We will be glad to submit you a non-binding offer.