

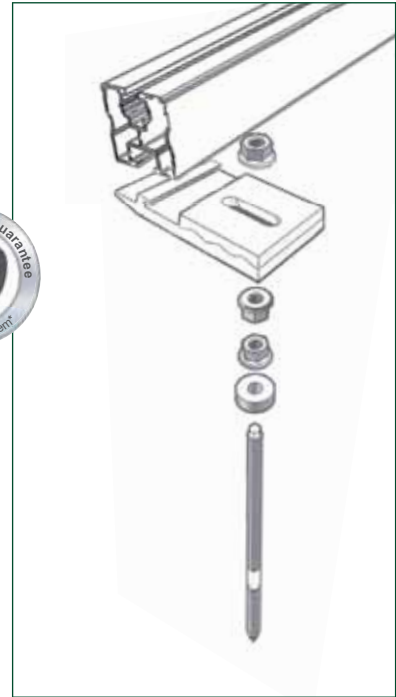
KlickTop fastening kit for corrugated roofs

The proven fastening kit now with KlickTop

- Shortened assembly time
- Improved structural analysis values
- Only a few different components

Description

With corrugated plates made of fibre cement or also with trapezoidal sheet metal roof coverings as well as with slate roof coverings, normally the fastening kit for corrugated roofs is used. A special hanger bolt is screwed into the substructure through the roof cladding and bears the cross beam by means of a mounting plate. An UV-resistant EPDM gasket with sealing cone and support collar is counter screwed with a third mounting nut and safely seals the drilling. Please consider that it can be reasonable on purlin roofs to use only vertical rails and to place the modules horizontally on them.



KlickTop design

Shortened assembly time and improved structural analysis values at the same time

KlickTop fastening kit for corrugated roofs incl. hanger bolt, KlickTop kit, 3 flange nuts and gasket



Item no.

111110-200	M10 x 200 mm / 7.9 inch
111112-200	M12 x 200 mm / 7.9 inch
111112-300	M12 x 300 mm / 11.8 inch



Please note:

For this fastening solution, we recommend the following thread sealant:

195000-032 screw securing 50ml

➔ [Thread sealant product sheet](#)

Technical data

Material	Screws: High-grade steel 1.4301 KlickTop attachment: Aluminium Sealing gasket: Vulcanized EPDM-seal (UV-resistant)
Structural analysis	Structural analysis in accordance with current national standards (in Germany DIN1055 and EC1). Annexes based on structural analysis for dimensioning the number of required fastening points. In any case, observe the information on structural safety! The verification of the adhesive forces of a roof to the substructure is not included in the general structural analysis annexes!

System prices can be calculated quickly and easily with our auto-calculator!

*acc. to the respective product sheet and our General Terms and Conditions of Sale and Supply (www.schletter.de/AGB)
Subject to modifications and also technical modifications.