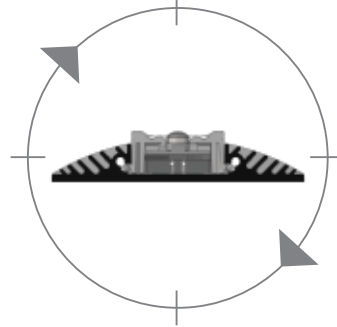


■ MASTER PIR (TSPiR)

- Built in PIR sensor/switch
- 5 minute timer
- Low energy consumption
- Weatherproof option available
- E-type approved

Internal View



|| See technical specs overleaf >>>

REV E

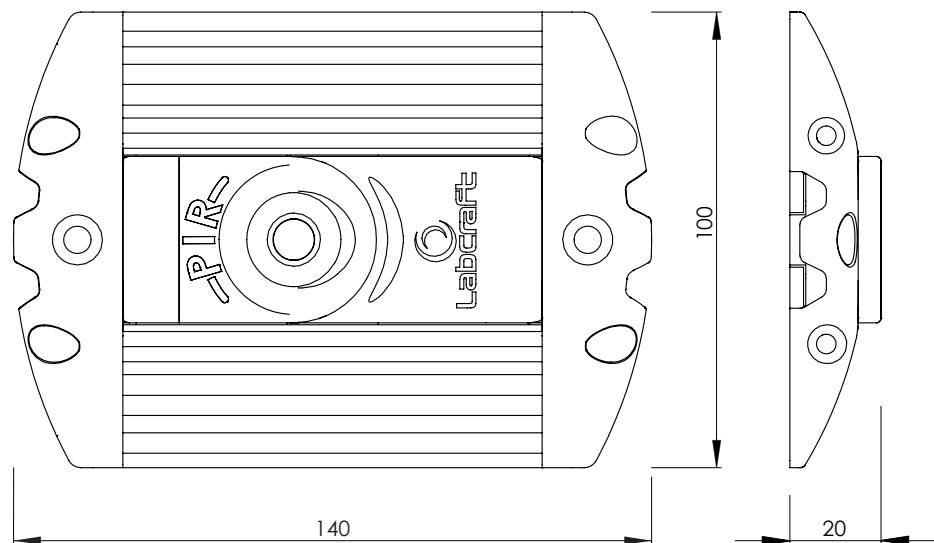


Made in the UK

MASTER PIR (TSWP5PIR/2)



- Built in PIR sensor/switch - The electronics used within this unit have been designed to detect the movement of body heat in order to activate the sensor.
- 5 minute timer - Once the sensor has been triggered, this timer unit will automatically switch the connected lamps on for a period of 5 minutes before automatically switching off.
- Low energy consumption - The timer switch has been designed to use a minimal amount of power to prevent any unnecessary load on the battery and to work effectively in conjunction with Labcraft lights.
- Ultra slim profile - This surface mounted unit is only 20mm in depth therefore keeping obstruction and damage to the minimum.



Specification

ALL DIMENSIONS HAVE A TOLERANCE OF +/- 1mm

MASTER PIR
(TSWP5PIR)

		TSWP5 PIR	TSWP5 PIR/2
Voltage Range	VDC	12	24
Max Load Current	A	4.5A	4.5A
Weight	kg	0.22	0.22
Temp. Range	°C	-30 to +40	-30 to +40
Switch on time	min	5 - 7	5 - 7
Angle of sensor	°	88	88
Off-load Current	mA	40	40

REV E

E & OE