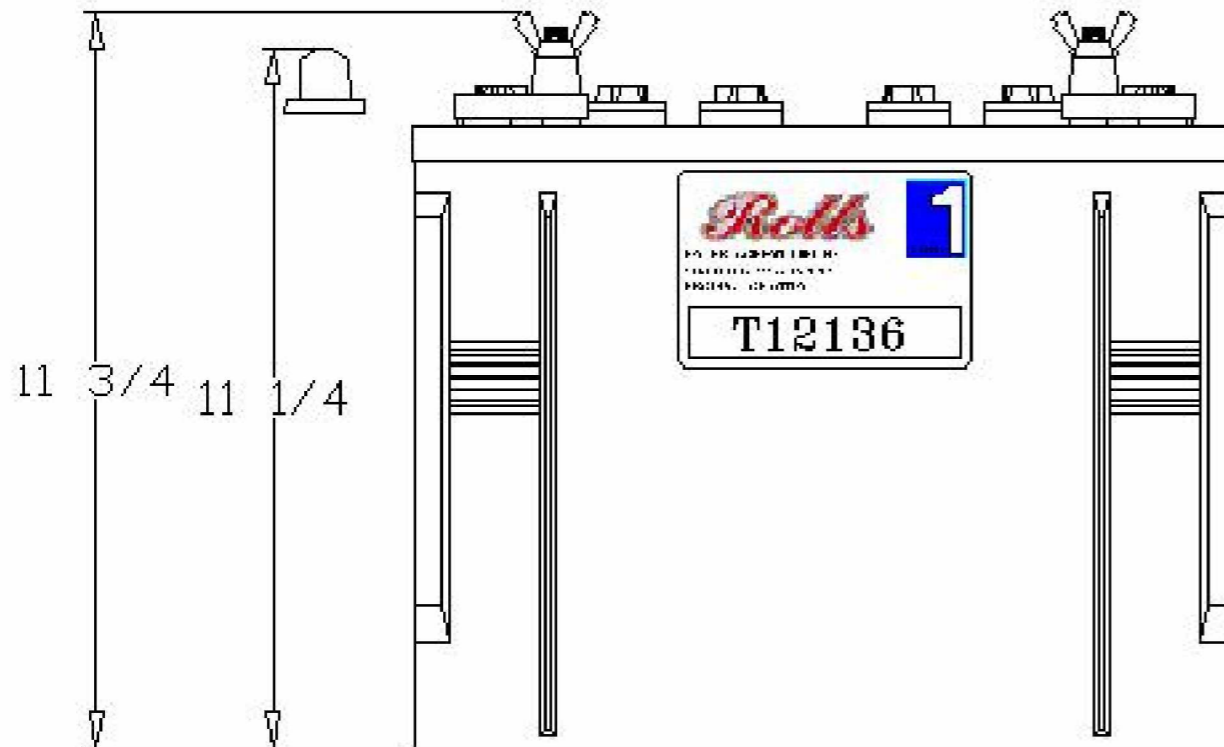
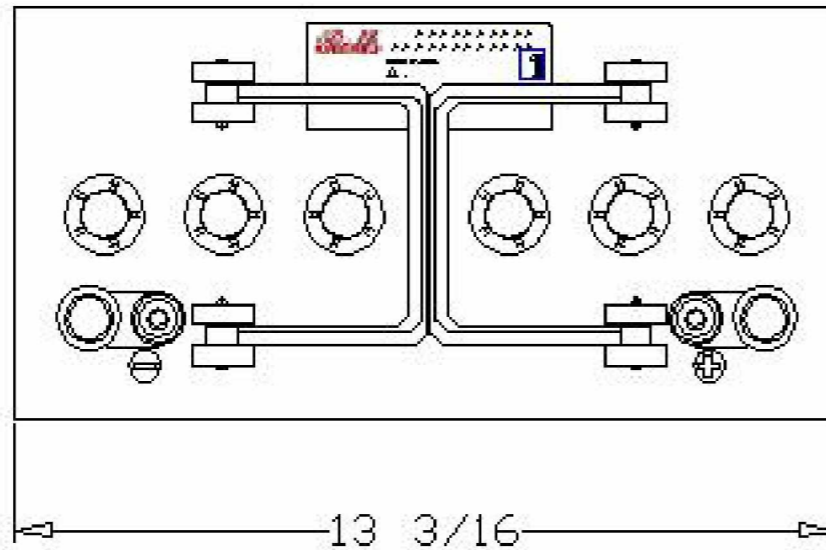




HEAVY DUTY DEEP CYCLE SERIES 4000

| | | | |
|-------------------------------------|---------------------------------------|-----------------|-----------------------|
| BATTERY TYPE | VOLTS | 12 | T12 136 |
| DIMENSIONS | | | |
| LENGTH | 335 MM | 13 3/16 | INCHES |
| WIDTH | 171 MM | 6 3/4 | INCHES |
| HEIGHT | 286 MM | 11 1/4 | INCHES |
| WEIGHT DRY | 30 KG | 65 | LBS. |
| WEIGHT WET | 41 KG | 90 | LBS. |
| CONTAINER CONSTRUCTION | | | |
| CONTAINER | POLYPROPYLENE WITH STRUCTURAL RIBBING | | |
| COVER | POLYPROPYLENE | | |
| HANDLES | PLASTIC MOUNTED TO COVER | | |
| PLATES PER CELL | 11 | | |
| ELECTROLYTE RESERVE | ABOVE PLATES | 38 MM | 1.5 INCHES |
| DESIGN CRITERIA | 7 YEAR WARRANTY | 1300 CYCLES | 10 YEAR LIFE |
| POSITIVE PLATE DIMENSION | | | |
| HEIGHT | 162 MM | 6.375 | INCHES |
| WIDTH | 143 MM | 5.625 | INCHES |
| THICKNESS | 3.56 MM | 0.140 | INCHES |
| NEGATIVE PLATE DIMENSION | | | |
| HEIGHT | 162 MM | 6.375 | INCHES |
| WIDTH | 143 MM | 5.625 | INCHES |
| THICKNESS | 2.49 MM | 0.098 | INCHES |
| SEPARATOR | SEPARATOR THICKNESS | 0.050 INCH | |
| INSULATION | 0.020" GLASS MAT | | |
| TERMINALS | AUTO POST, UNIVERSAL IF SPECIFIED | | |
| COLD CRANK | CCA | 0°F / -17.8°C | 512 |
| | MCA | 32°F / 0°C | 640 |
| | RESERVE | | 277 |
| | MINUTES AT 25A | | |
| CAPACITY | 20 HR RATE | 136 | |
| | | CAP / AH | CURRENT / AMPS |
| CAPACITY AT THE 20 HOUR RATE | 1.265 SP. GR. | 136 | 6.8 |
| CAPACITY AT THE 15 HOUR RATE | 1.265 SP. GR. | 128 | 8.5 |
| CAPACITY AT THE 12 HOUR RATE | 1.265 SP. GR. | 121 | 10.1 |
| CAPACITY AT THE 10 HOUR RATE | 1.265 SP. GR. | 116 | 11.6 |
| CAPACITY AT THE 8 HOUR RATE | 1.265 SP. GR. | 109 | 13.6 |
| CAPACITY AT THE 6 HOUR RATE | 1.265 SP. GR. | 101 | 16.8 |
| CAPACITY AT THE 5 HOUR RATE | 1.265 SP. GR. | 95 | 19 |
| CAPACITY AT THE 4 HOUR RATE | 1.265 SP. GR. | 88 | 22 |
| CAPACITY AT THE 3 HOUR RATE | 1.265 SP. GR. | 80 | 27 |
| CAPACITY AT THE 2 HOUR RATE | 1.265 SP. GR. | 69 | 35 |
| CAPACITY AT THE 1 HOUR RATE | 1.265 SP. GR. | 49 | 49 |



WITH UNIVERSAL WINGNUT WITH AUTOPOST AUTO POST STANDARD - SPECIFY TERMINAL

PART NUMBER:

T12136

WEIGHT WET:

90 LB / 41 KG

WET DRY:

72 LB / 33 KG

CAPACITY

105 AH 6 HR
136 AH 20 HR

RESERVE MIN@25A

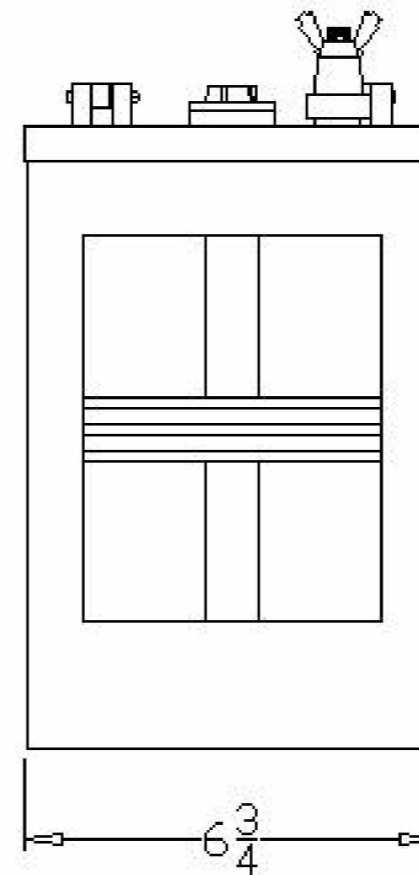
277 MIN


VOLTAGE:

12 V

OVERALL DIMENSIONS:

13 $\frac{3}{16}$ × 6 $\frac{3}{4}$ × 11 $\frac{1}{4}$



| | |
|--|------------------------|
|  BATTERY ENGINEERING SPRINGHILL, NOVA SCOTIA, CANADA | |
| TITLE: | |
| T12136 | |
| DESCRIPTION: | |
| 12V DEEP CYCLE SERIES 400/4000 | |
| CONTACT INFO: | |
| WEB | WWW.ROLLSBATTERY.COM |
| E-MAIL | SALES@ROLLSBATTERY.COM |
| PHONE | 1-800-661-9914 |
| SCALE: 1" = 4" | 6.5" X 11" |
| DATE: 5-FEB-03 | REVISION: L1 |
| DRAWING NO.: DWG 047, 30-T12136 | |