

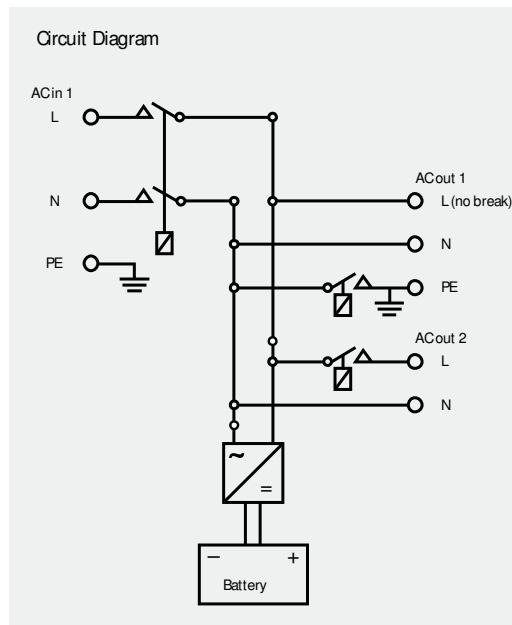
**Victron Energy B.V.**

De Paal 35, 1351 JG Almere-Haven  
P.O. Box 50016, 1305 AA Almere-Haven  
The Netherlands  
Tel. +31 (0)36 535 97 00  
Fax +31 (0)36 531 16 66 (general + service)  
Fax +31 (0)36 535 97 40 (sales)  
E-mail sales@victronenergy.com  
www.victronenergy.com

ABN-AMRO bank 54 85 22 308  
BTW/VAT-nr. NL 0067.85.955.B01  
KvK/CoC Lelystad 39059013

## Statement of Fact

This document confirms that the earthing arrangement within the Victron Quattro or Multi inverter/chargers operates as shown in Figure 8.9 of the Engineering recommendations G59/2-1 Issue 2. Amendment 1 April 2011



The above diagram shows the relay configuration of a Victron Multi.

Reinout Vader  
Managing Director  
24/09/2013