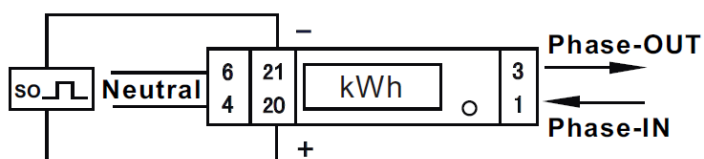


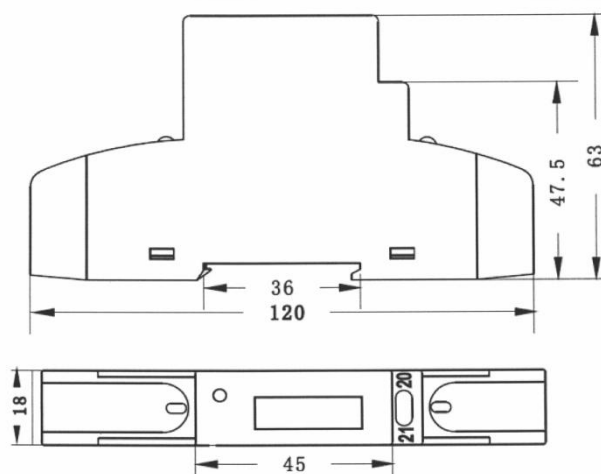
RI-18-45-P 230V 5(45)A LCD

Single Phase Energy Meter – 45A Direct MID With Pulsed Output

| | |
|---|---|
| Current Range | 5 (45)A |
| Voltage Range | 230V \pm 20% |
| Impulse Constant (Red LED) | 1000 Imp/kWh |
| Accuracy Class | B |
| Declaration of Conformity | D |
| Frequency | 50Hz \pm 10% |
| Display | 5+2=99999.99kWh LCD |
| Temperature Range | -25°C to 55°C |
| Max Relative Humidity | 75% Average / Short time value 95% |
| Standards | EN50470-1 / EN50470-3 |
| Power Of Consumption | \leq 8VA \leq 0.4W |
| Pulse Output | 1000 Imp/kWh RL = 1 Wh/Imp RA= 1Wh/Imp S0-Standard DIN 43864 |
| Pulse width | 80mS |
| Registered harmonics range | 0.05-0.25KHz |
| Max Terminal Wire mm² | 12mm ² |



- 1 Live In 3 Live Out
- 4 Neutral 6 Neutral
- 21 Pulse - 20 Pulse +



Please Note

The meter is intended to be installed in a Mechanical Environment 'M1', with Shock and Vibrations of low significance, as per 2004/22/EC Directive. The meter is intended to be installed in Electromagnetic Environment 'E2', as per 2004/22/EC Directive.

Installation of this device may only be performed by qualified personnel.

Technical support

In case you have any questions about our product, please contact Rayleigh Instruments on 01268749300.

Attention

The Meter housing is sealed. Warranty is void if the seal is broken or removed