



R12-260AGM

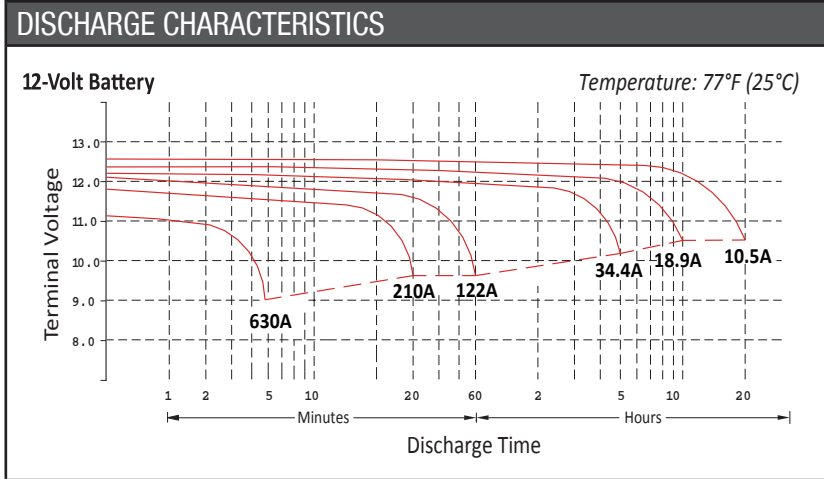
Rolls AGM 12V 'Series 2' Deep Cycle Sealed Maintenance Free AGM Battery



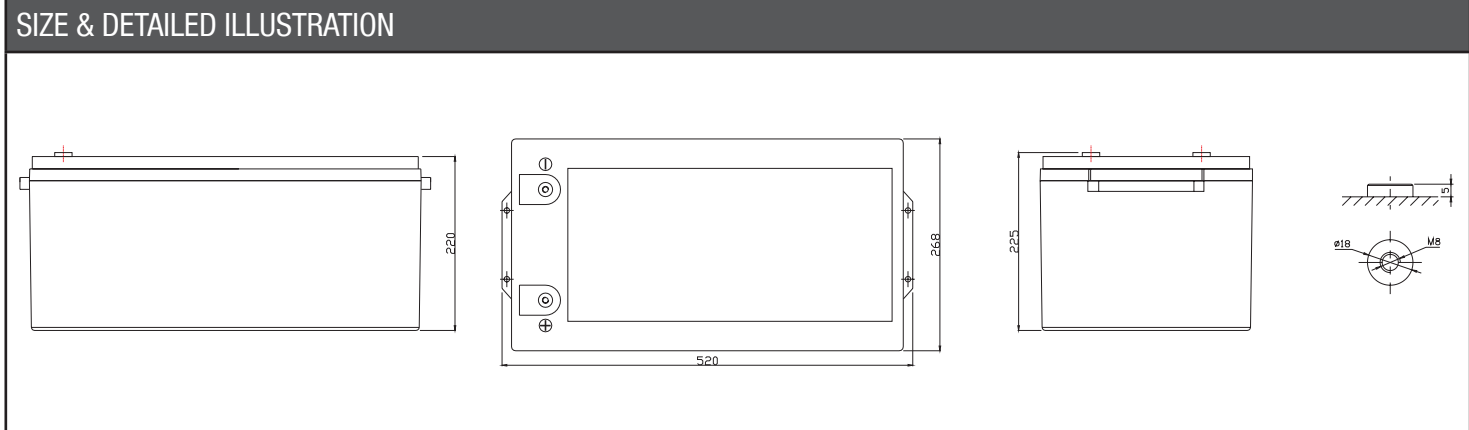
CONSTANT CURRENT DISCHARGE (AMPS)									
CUT OFF VOLTAGE V/CELL	30M	45M	1HR	2HR	3HR	5HR	8HR	10HR	20HR
10.5V	205	151	130	96	56	38	31	21.6	13

RESERVE CAPACITY		CCA	
@25AMPS	@75 AMPS	CCA@0°C	CCA@-18°C
560 Mins.	160 Mins.	1850	1550

SPECIFICATIONS		
Nominal Voltage		12 Volt
Rated Capacity (20 hour rate)		260 Ah
Dimensions	Total Height (including terminals)	225mm
	Height	220mm
	Length	522mm
	Width	268mm
Weight		73.0 Kg



CHARACTERISTICS		
Capacity 77°F (25°C)	100 Hour Rate	290 Ah
	20 Hour Rate	260 Ah
	10 Hour Rate	200 Ah
Internal Resistance	Full charged Battery 77°F (25°C)	3.3mΩ
Capacity Affected by Temperature (20hr rate)	104°F (40°C)	102%
	77°F (25°C)	100%
	32°F (0°C)	85%
	5°F (-15°C)	65%
Self Discharge 77°F (25°C)	Capacity after 3 month storage	91%
	Capacity after 6 month storage	82%
	Capacity after 12 month storage	64%
Max Discharge 77°F (25°C)	2000A (5s)	
Terminal	Standard	F-M8
Charging (Constant Voltage)	Cycle	14.6 to 14.8V DC/unit Average at 25°C
	Float	13.6 to 13.8V DC/unit Average at 25°C



This information is generally descriptive only and is not intended to make or imply and representation, guarantee or warranty with respect to any cells and batteries. Call and battery design/specifications are subject to modifications without notice. For further information contact Rolls Battery Europe.