

HEIGHT		
Tilt Angle	'A' mm	'B' mm
10°	1519	2040
20°	1259	2282
30°	1009	2504
40°	776	2610
50°	570	2860
60°	392	2982

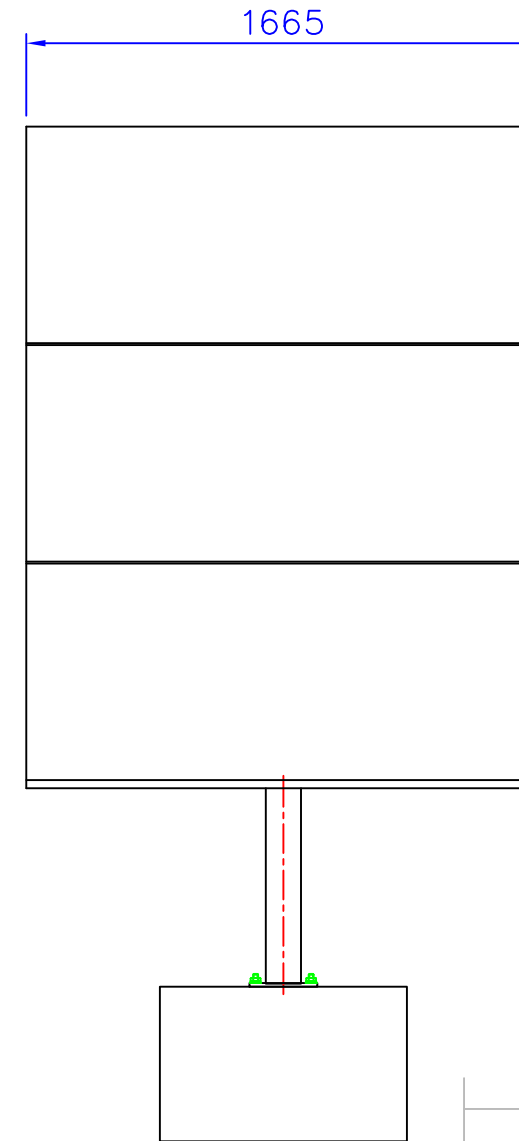
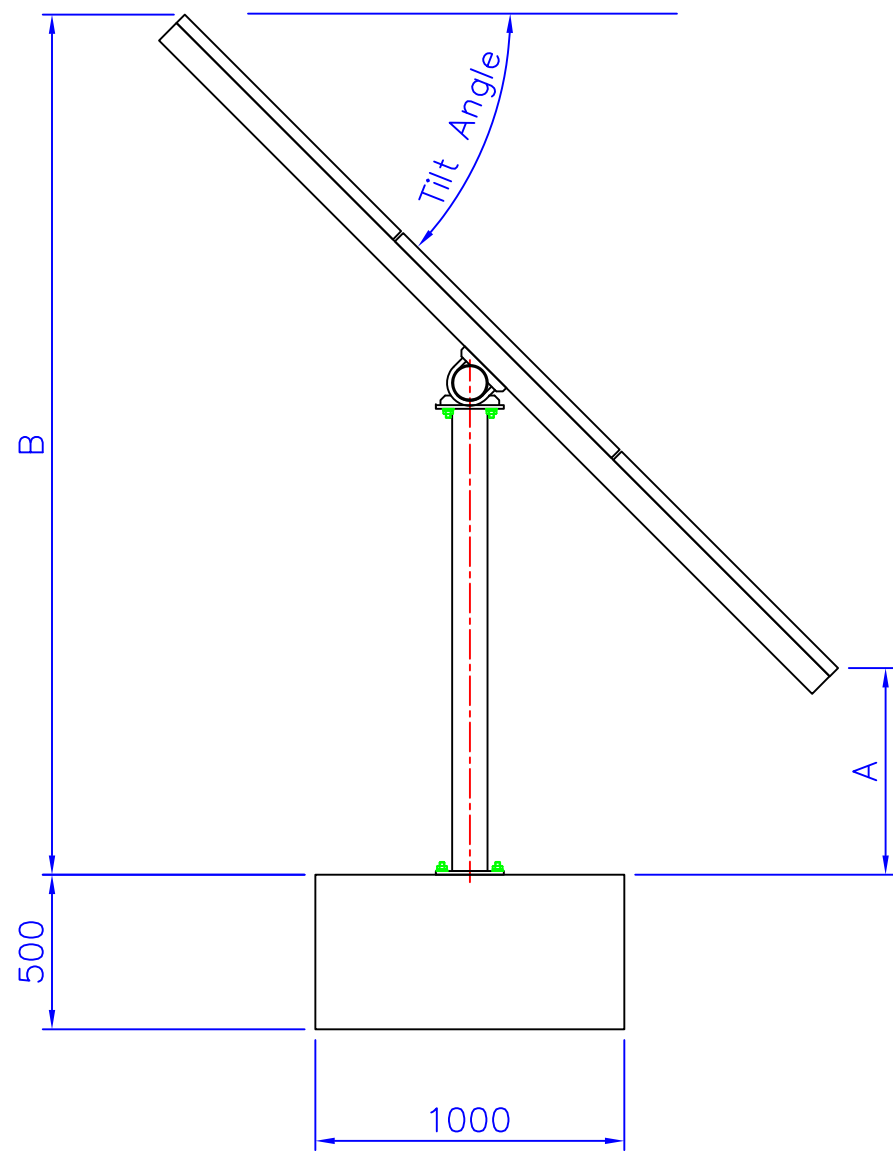
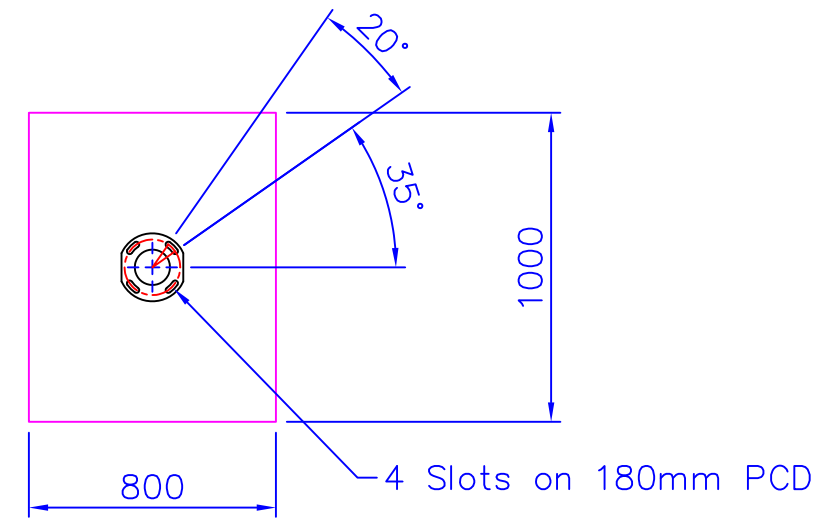
### Design Data.

- Material: Mild steel
- Finish: Galvanised to BSEN ISO1461
- Fasteners: Galvanised steel
- Module fasteners: A4 stainless steel
- Wind Loding: 44 metres per second
- Foundation: Concrete Block (supplied by others)

Ground Anchor bolt set c/w Template sold seperately

System kit packed dimensions:-

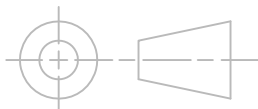
Leg	152 x 22 x 20cm	24kg
Tube	110 x 115 o/d	11kg
Rails	300 x 11 x 6cm	29kg
Fasteners	31 x 23 x 13cm	8kg



Tolerances.  
 NO D.Point ±1mm  
 1 D.Point ±0.5mm  
 2 D.Points ±0.2mm

2	T Brooks	08.04.2015	Rotational baseplate
1	T Brooks	05.01.2012	Production Issue
ISSUE	DRAWN BY	DATE	CHANGE
Material.			Product Type
Finish.			SKN Type
SKN Type Medium Level Ground Mount Structure 3 x REC240PE panels			No.
LANDSCAPE			002 611

DO NOT SCALE



© 2012

This drawing is copyright and the property of BDS, it must not be copied in whole or in part, used for manufacture or otherwise disclosed without prior consent of BDS.