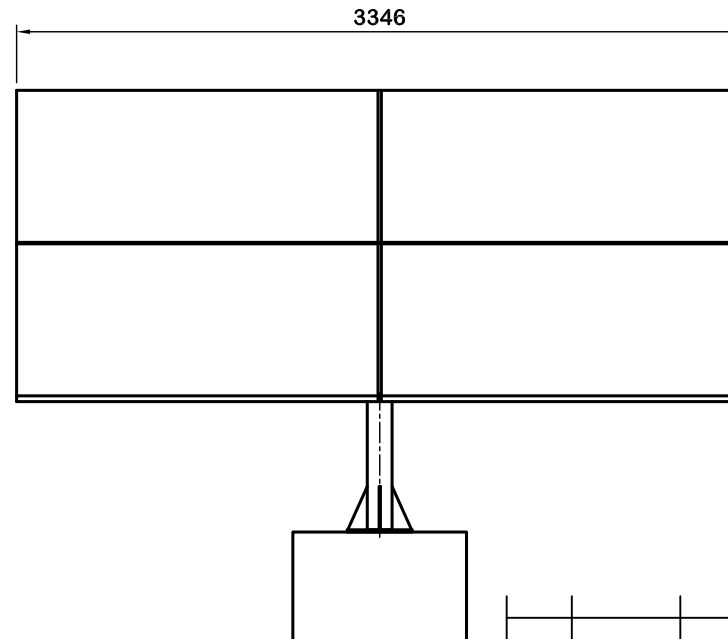
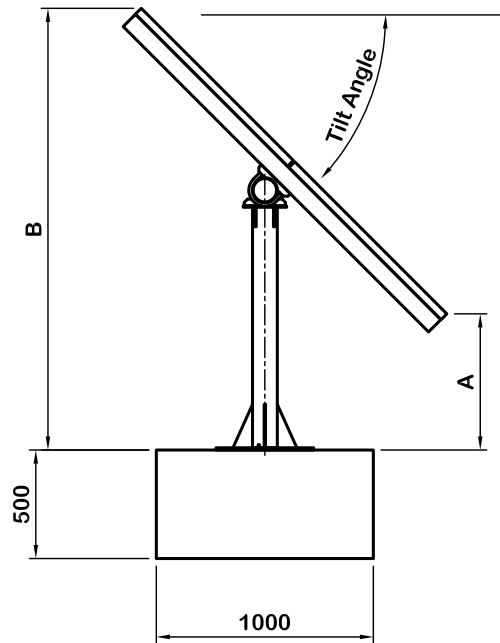
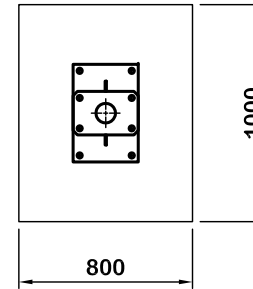


HEIGHT		
Tilt Angle	'A' mm	'B' mm
10°	1211	1557
20°	1035	1716
30°	864	1859
40°	703	1982
50°	557	2082
60°	430	2154

Design Data.

- Material: Mild steel
- Finish: Galvanised to BSEN ISO1461
- Fasteners: Galvanised steel
- Module fasteners: A4 stainless steel
- Wind Loding: 44 metres per second
- Foundation: Concrete Block (supplied by others)

Ground Anchor bolt set c/w Template sold seperately



Tolerances.
 NO D.Point ±1mm
 1 D.Point ±0.5mm
 2 D.Points ±0.2mm

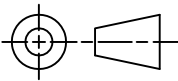
1	T Brooks	05.01.2012	Production Issue
ISSUE	DRAWN BY	DATE	CHANGE

Material.
Finish.

**SKN Type Medium Level
 Ground Mount Structure**
 4 x REC240PE panels
 LANDSCAPE

Product Type
SKN Type
 No.
002 612

DO NOT SCALE



© 2012