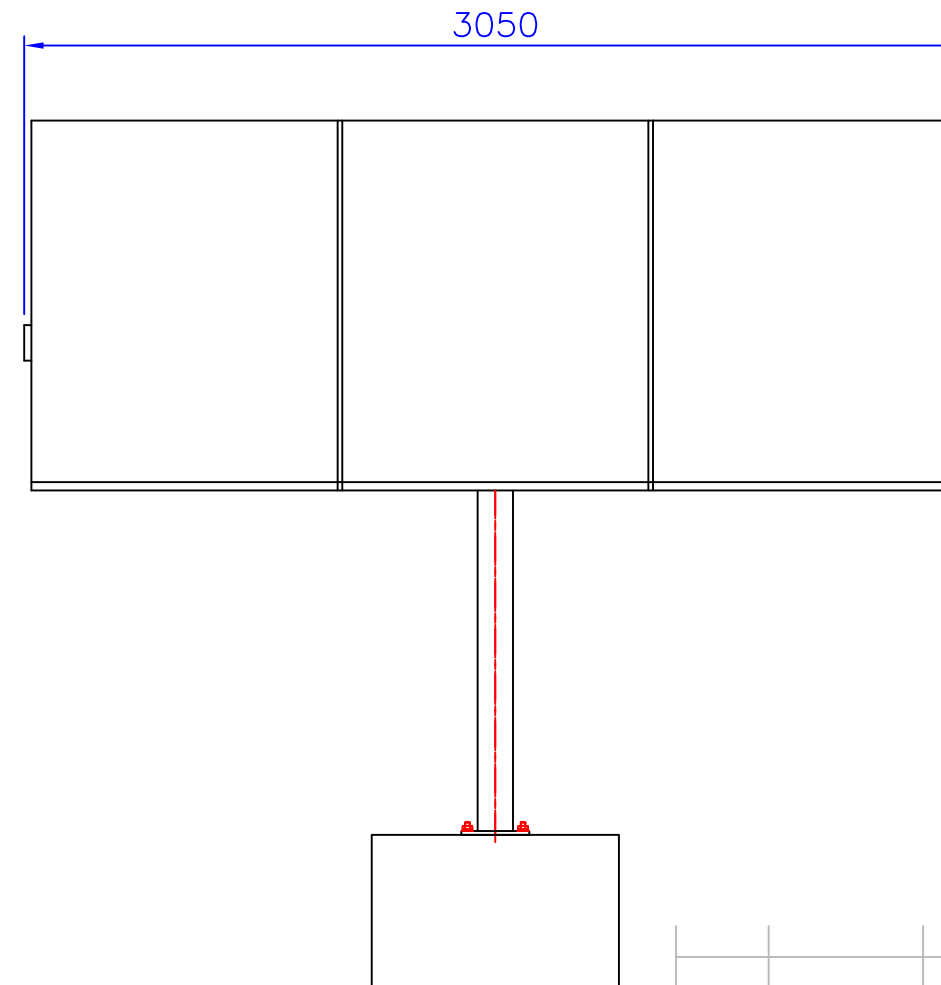
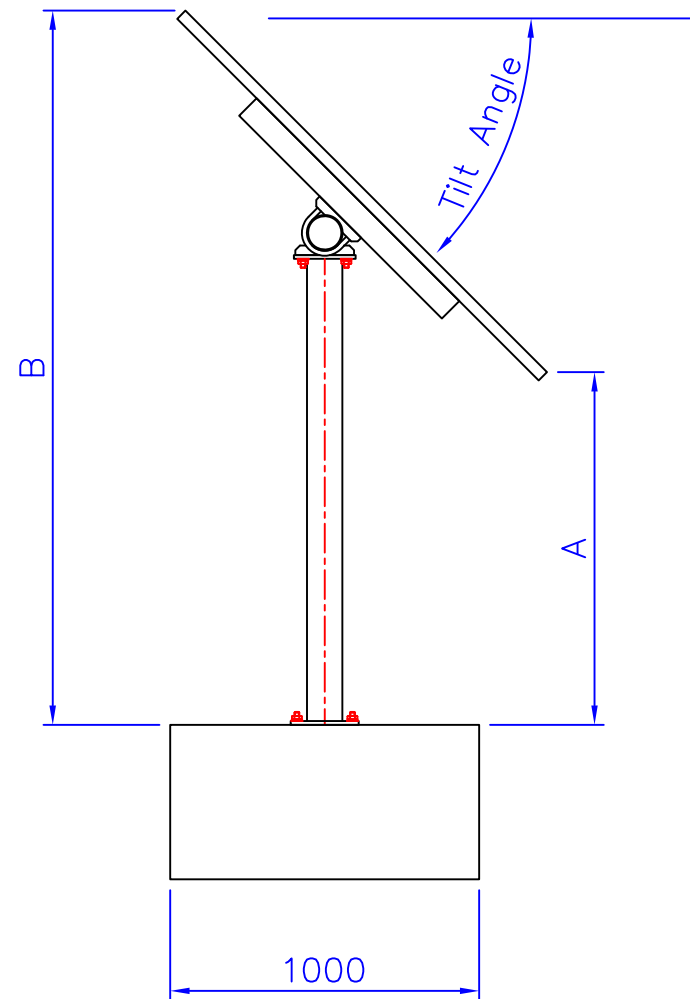
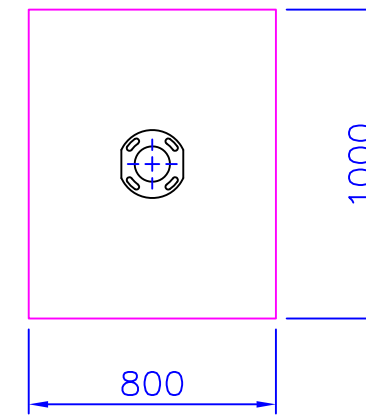


HEIGHT		
Tilt Angle	'A' mm	'B' mm
10°	1635	1923
20°	1488	2054
30°	1343	2170
40°	1206	2269
50°	1080	2348
60°	970	2004

Design Data.

- Material: Mild steel
- Finish: Galvanised to BSEN ISO1461
- Fasteners: Galvanised steel
- Module fasteners: A4 stainless steel
- Wind Loding: 44 metres per second
- Foundation: Concrete Block (supplied by others)

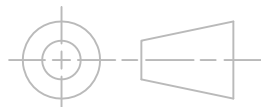
Ground Anchor bolt set c/w Template sold seperately



Tolerances.
 NO D.Point ±1mm
 1 D.Point ±0.5mm
 2 D.Points ±0.2mm

1	T Brooks	15.12.2015	Production Issue
ISSUE	DRAWN BY	DATE	CHANGE
Material.			Product Type
Finish.			SKN Type
SKN Type Medium Level Ground Mount Structure 3 x REC240PE panels			No. 002 617
PORTRAIT			

DO NOT SCALE



© 2015

This drawing is copyright and the property of BDS, it must not be copied in whole or in part, used for manufacture or otherwise disclosed without prior consent of BDS.