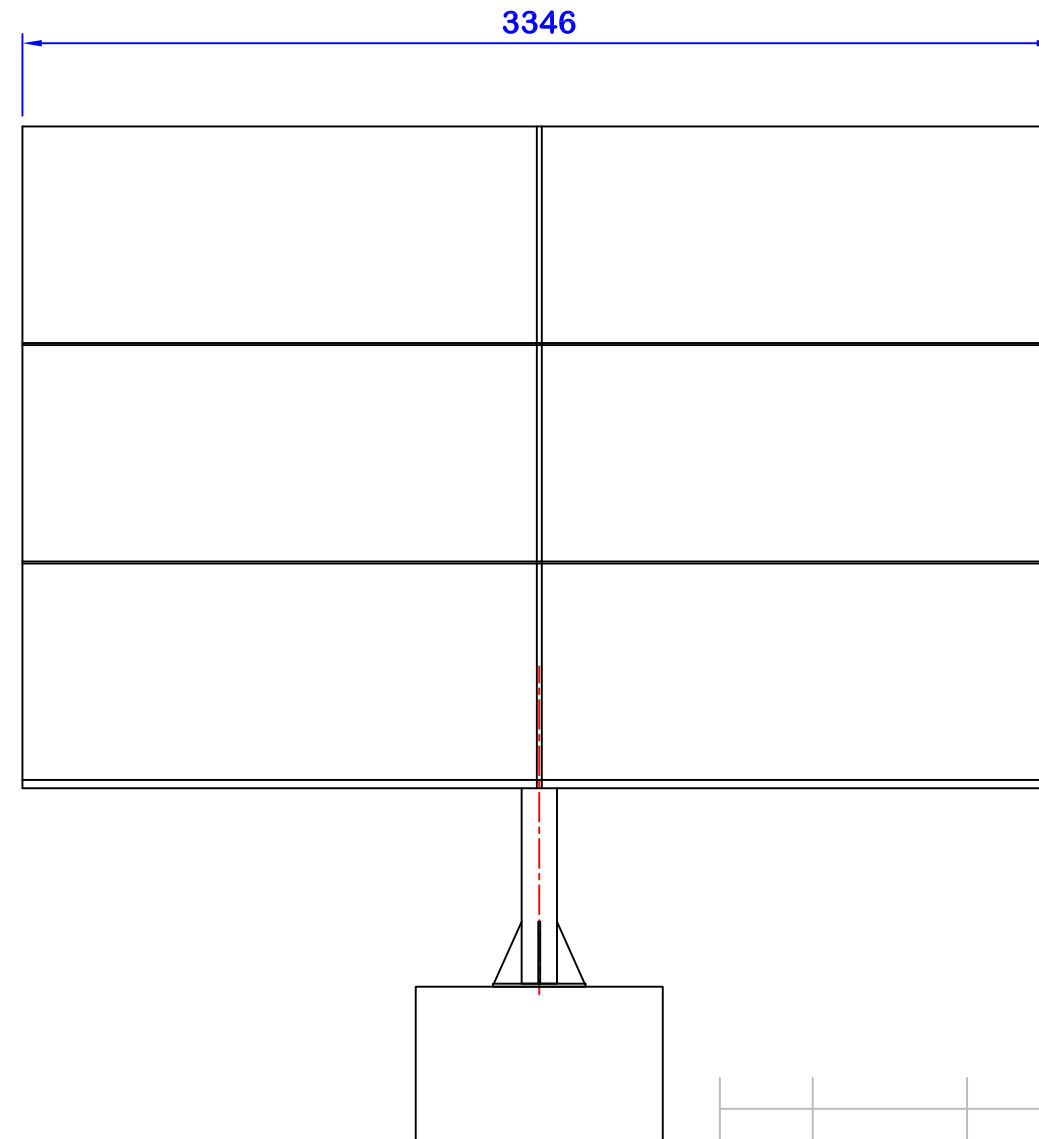
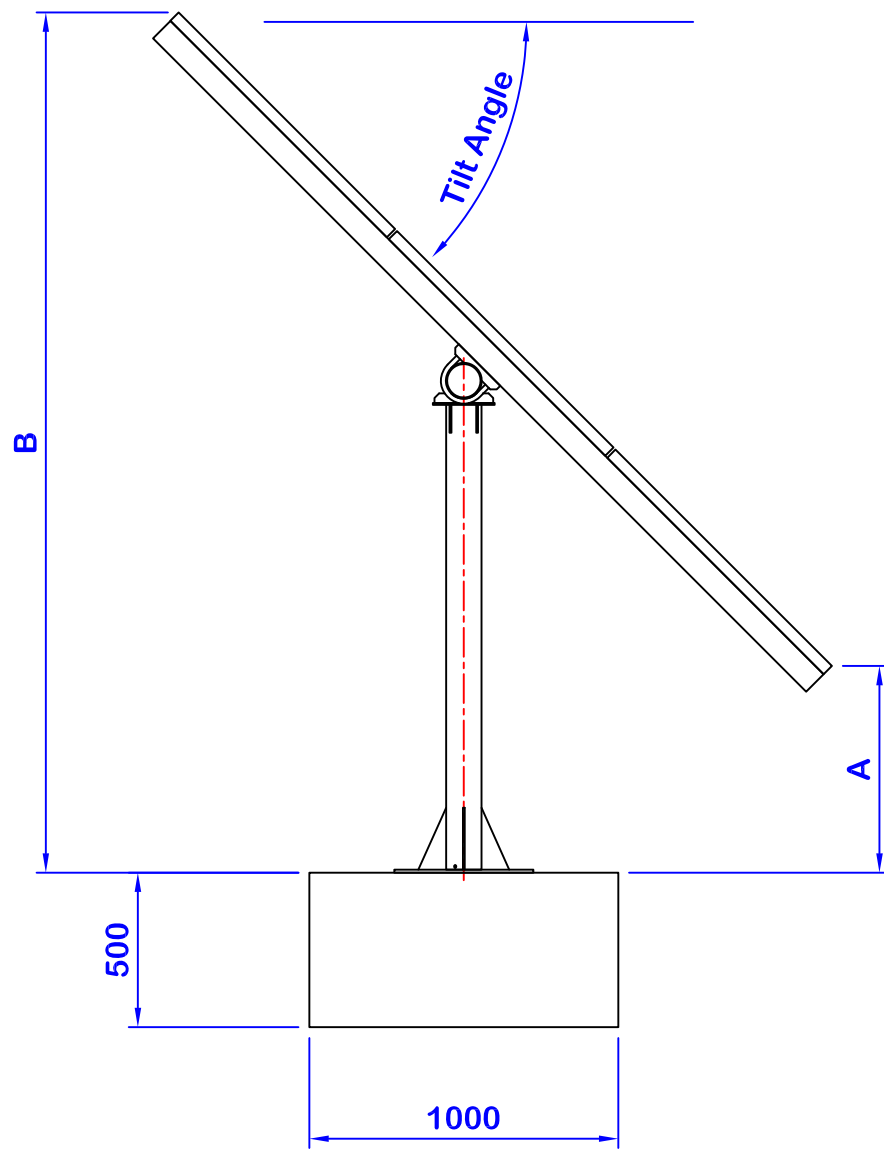
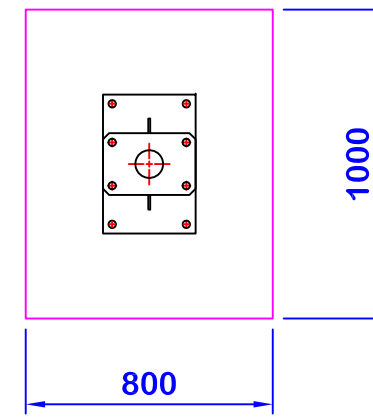


HEIGHT		
Tilt Angle	'A' mm	'B' mm
10°	1519	2039
20°	1259	2282
30°	1009	2504
40°	776	2699
50°	569	2860
60°	392	2982

Design Data.

- Material: Mild steel
- Finish: Galvanised to BSEN ISO1461
- Fasteners: Galvanised steel
- Module fasteners: A4 stainless steel
- Wind Loding: 44 metres per second
- Foundation: Concrete Block (supplied by others)

Ground Anchor bolt set c/w Template sold seperately

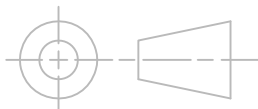


Tolerances.
 NO D.Point ±1mm
 1 D.Point ±0.5mm
 2 D.Points ±0.2mm

1	T Brooks	05.01.2012	Production Issue
ISSUE	DRAWN BY	DATE	CHANGE

Material.	SKN Type Medium Level Ground Mount Structure 6 x REC240PE panels LANDSCAPE	Product Type
Finish.		SKN Type No. 002 614

DO NOT SCALE



© 2012