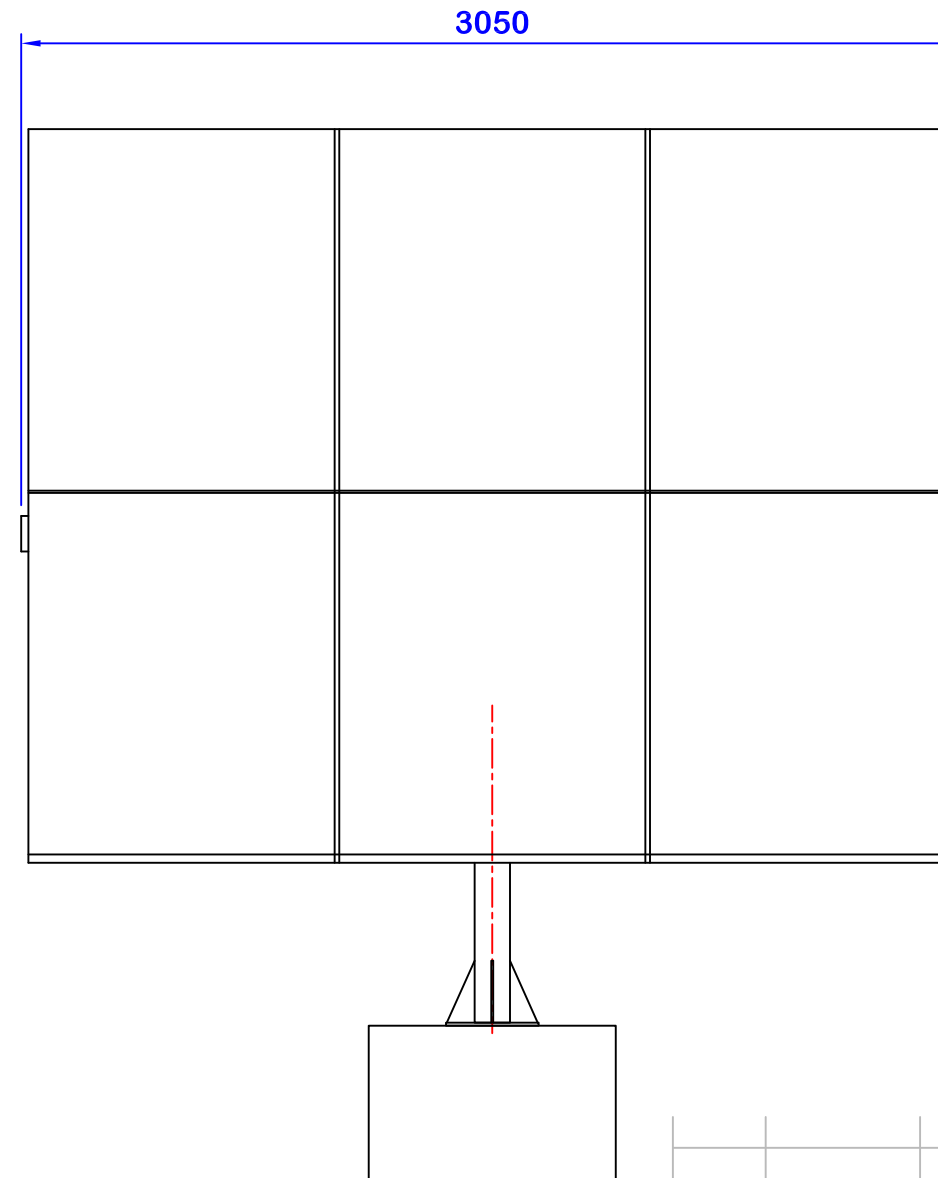
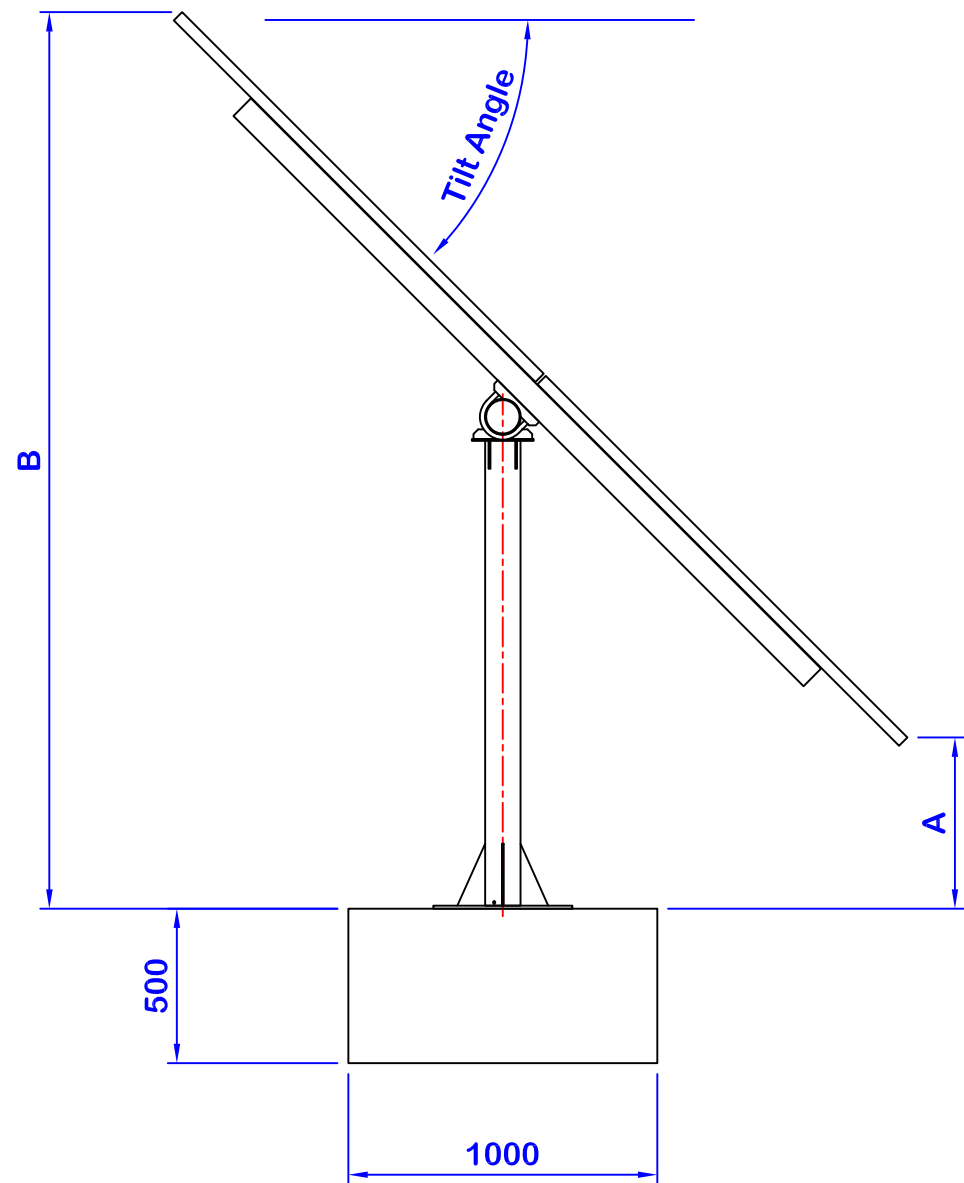
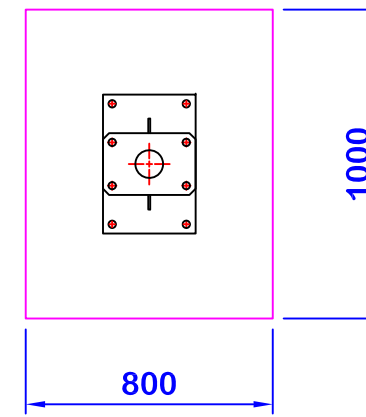


HEIGHT		
Tilt Angle	'A' mm	'B' mm
10°	1493	2069
20°	1205	2304
30°	928	2588
40°	672	2806
50°	444	2987
60°	250	3126

Design Data.

- Material: Mild steel
- Finish: Galvanised to BSEN ISO1461
- Fasteners: Galvanised steel
- Module fasteners: A4 stainless steel
- Wind Loding: 44 metres per second
- Foundation: Concrete Block (supplied by others)

Ground Anchor bolt set c/w Template sold seperately

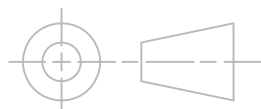


Tolerances.
 NO D.Point ±1mm
 1 D.Point ±0.5mm
 2 D.Points ±0.2mm

1	T Brooks	15.12.2011	Production Issue
ISSUE	DRAWN BY	DATE	CHANGE
SKN Type Medium Level Ground Mount Structure 6 x REC240PE panels			Product Type SKN Type No. 002 615
PORTRAIT			

Material.
Finish.

DO NOT SCALE



© 2011