

Anti-islanding solutions

www.victronenergy.com

Anti-islanding made easy: the anti-islanding box

The anti-islanding box is a complete pre-wired and easy to install anti-islanding device consisting of a Ziehl anti-islanding relay (model UFR1001E or model SPI1021), the required circuit breakers and a 63A contactor.

For specifications of the Ziehl relay, see <http://www.ziehl.de>.

Ziehl UFR1001E:

Certificates: G83/2 and G59/3 (UK), VDE-AR-N 4105: 2011-08 (Germany), ÖVE/ÖNORM E 8001-4-712 (Austria), and DIN V VDE V 0126-1-1/A1 / NOI-RES_13E, Version 5 (France).

Fulfills the requirements of NRS-097-2-1 (South Africa).

Ziehl SPI1021:

Certificate: CEI 0-21 (Italy).

Important note

Some MultiPlus inverter/chargers do comply with UK standards G83/2 and G59/3 (certificate available). In that case the anti-islanding box is not needed.

Please see our website for the latest situation.



RCD000100200: anti-islanding box 63A for single phase systems, complies with UK standards G83/2 and G59/3

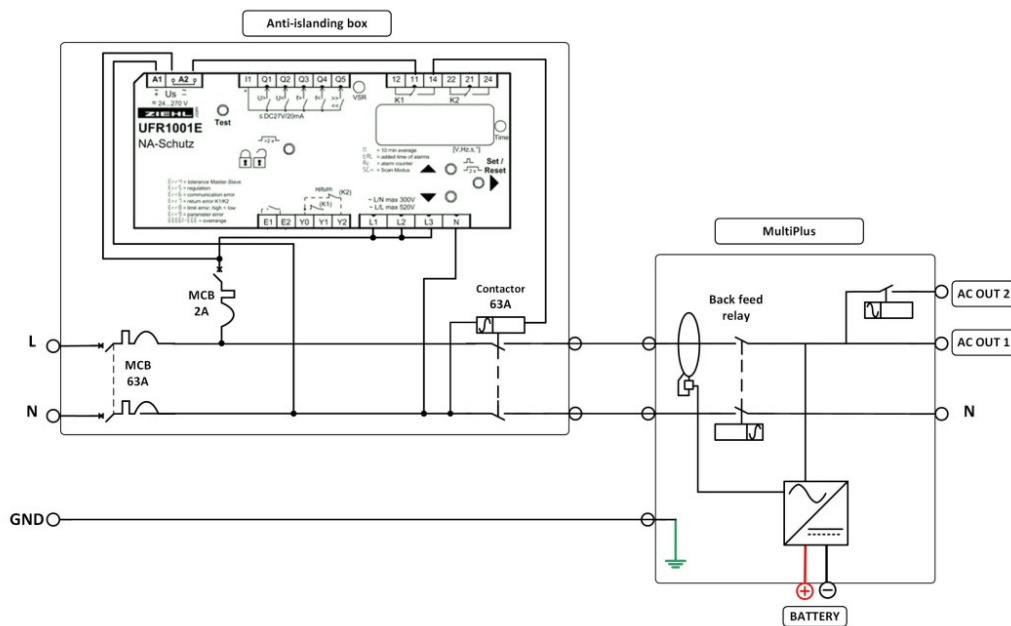


Fig 1: Anti-islanding with RCD000100200

The anti-islanding box complies with G83/2 and G59/3. No interface with the MultiPlus or Quattro inverter/charger needed.

RCD000300200: anti-landing box 63A for single phase and three phase systems.

Complies with:

- G83/2 and G59/3
- VDE-AR-N 4105
- ÖVE/ÖNORM E 8001-4-712
- DIN V VDE V 0126-1-1/A1 / NOI-RES_13E
- NRS-097-2-1

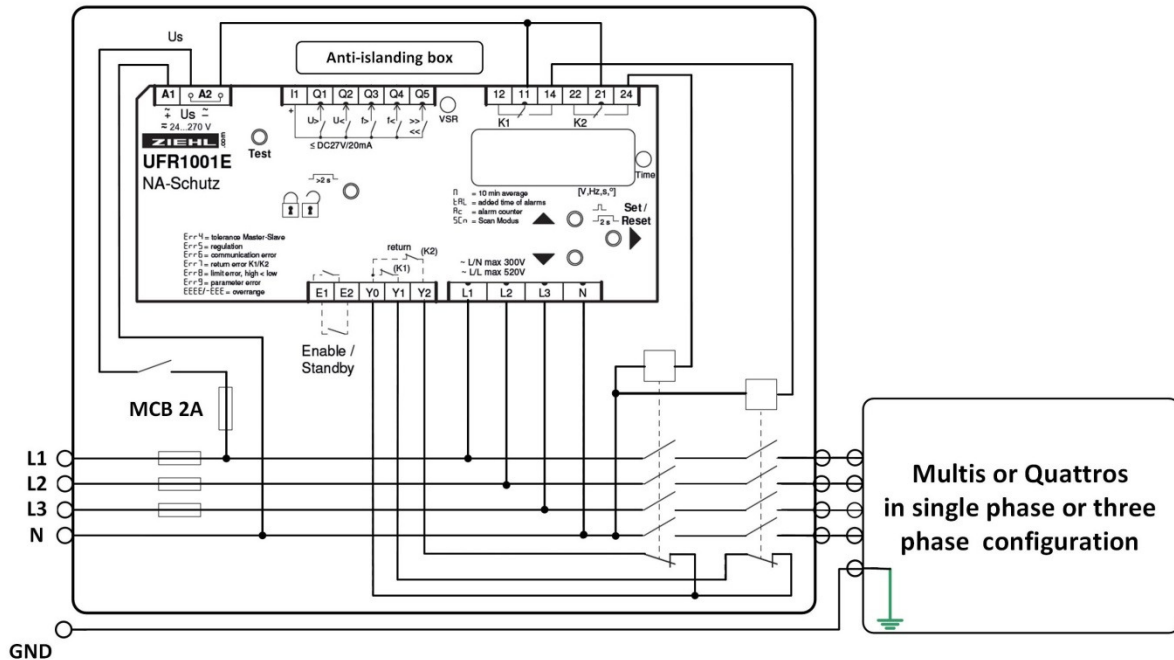


Fig 2: Anti-landing with RCD000300200

The German, Austrian and French standards require two electric switching devices connected in series. The Ziehl relay controls both switching devices.

Note: the second contactor is not needed for G83/2 and G59/3 compliant systems.