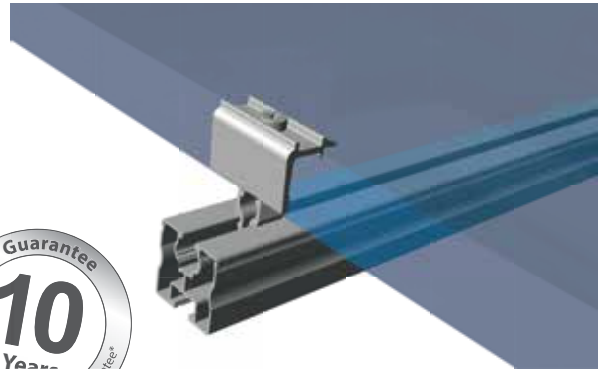


Rapid¹⁶

The new clamp range

- Fewer variants for all applications
- Integrated grounding pin
- Quick mounting
- Optimised warehousing



The Schletter module clamp range Rapid¹⁶ provides a lot of advantages, such as better warehousing due to the minimised number of design variants and the grounding pin integrated in each module clamp. The Rapid¹⁶ clamps are compatible with all Schletter module-bearing rails with 8 mm click channel, designed for module frames of 30 - 50 mm height.

The clamping range is divided in 2 sizes. The lower module clamps can fasten modules with frame heights of 30 - 40 mm. The higher clamps are suitable for frames of 40 - 50 mm height. For all middle clamps and for the higher end clamps, the click-in component can be rotated and therefore fasten the modules both in portrait (vertically) and in landscape (horizontally) (linear module clamping). This, however, is not possible with end clamps for lower module frames, as there the click-in component cannot rotate due to its geometry. This is why we provide the lower end clamp also in "H" (horizontal) design.

In addition, all the clamps are also available in black anodised for a better visual appearance on black module frames.

Type of mounting



Item

Non-coated aluminium	Anodized in black	Item name	Mounting method
131121-002	131121-902	Middle clamp Rapid ¹⁶ 40-50	V + H
131101-002	131101-902	End clamp Rapid ¹⁶ 40-50	V + H
131121-001	131121-901	Middle clamp Rapid ¹⁶ 30-40	V + H
131101-001	131101-901	End clamp Rapid ¹⁶ 30-40	V
131101-003	131101-903	End clamp Rapid ¹⁶ H 30-40	H

Further information at: www.schletter-group.com.



SCHLETTER GMBH (Headquarters)
Alustraße 1
83527 Kirchdorf
DEUTSCHLAND

SCHLETTER (Shanghai)
solar technology co., ltd
677 Beihe Gong Road
Jiading, Shanghai
201807 PR CHINA

SCHLETTER Inc.
1001 Commerce Center Drive
Shelby, North Carolina 28150
USA

info@schletter-group.com
www.schletter-group.com