

MULTIBLOC® 2.ST8

Size 2, 400A, 690VAC, Design for Bottom Fitting, 3-,4-pole

IEC FUSE SWITCH DISCONNECTORS

NH FUSE SWITCH DISCONNECTOR



The production programme of MULTIBLOC® series 2.ST8 comprises NH fuse switch disconnectors for 400A.

They are designed for bottom fitting/panel installation and are available in triple pole and quadruple pole units.

For installation of MULTIBLOC® NH fuse switch disconnectors in distribution units with central cover, respective covers are used to obtain a uniform profile in height and length.

MULTIBLOC® size 2 are designed for NH fuse-links in accordance with IEC/EN 60269-2, VDE 0636-2, size 2, 400A.

MULTIBLOC® offers the user the possibility of fast and easy installation as well as a high degree of security during installation and maintenance.

TECHNICAL DATA OVERVIEW

Voltage AC	690 VAC
Amper (A)	400 A
Size per Standard	2
SCCR	Ue = AC 400 V; Ie = 400 A 80kA Ue = AC 500 V; Ie = 400 A 80kA Ue = AC 690 V; Ie = 315 A 80kA (3-pole) Ue = AC 690 V; Ie = 315 A 50kA (4-pole)
Mounting	bottom fitting/panel
Switchability	3-,4-pole switching

FEATURES & BENEFITS

- Touch protection IP 20 - when fuse link is in test mode IP rating is maintained
- Parking position of switch operating cover even with fuse-links inserted
- Electronic or electro-mechanic fuse monitoring - optional
- Modular system of cover - cover for cable termination area can be extended as required
- Varieties of cable termination: screw, bolt, clamp strap, extendable for V-terminal - optional
- Indicating switch for switch door position - optional
- Installation on to 100mm bus bar system with adapter
- Safe on load connection/disconnection in accordance with IEC 60947-3

APPLICATIONS

- Panel boards for industrial use
- Feeder pillars for industrial use
- Meter distribution units
- Measuring transformer cabinets
- Transmitting stations for telecommunications

STANDARDS

- IEC/EN 60 947-3
For NH-fuse links size 2 in accordance with IEC/EN 60 269-2, VDE 0636-2



MULTIBLOC® 2.ST8

Size 2, 400A, 690VAC, Design for Bottom Fitting, 3-,4-pole

PRODUCT RANGE



1.000.504



1.002.712



1.000.832

MULTIBLOC® 2.ST8 size 2 400A, 690VAC bottom fitting, triple pole

Catalog number	Item number	Poles	Cable termination components	Design	Package	Weight
1.000.504	W1002129	3	6 M10 terminal screws	-	1 piece	3.5 kg
1.001.240	F1023068	3	3 clamp straps 120–240 mm ² 3 M10 terminal screws	-	1 piece	3.5 kg
1.002.563	G1023069	3	6 clamp straps 120–240 mm ²	-	1 piece	3.5 kg
1.002.712	H1023070	3	6 M10 terminal screws	with electronic fuse monitoring ESÜ installed (rated voltage=525VAC)	1 piece	3.6 kg
1.000.832	E1023067	3	6 M10 terminal screws	with electro-mechanic fuse monitoring MZS installed (galvanic isolation)	1 piece	4.25 kg



1.001.688



1.002.379

MULTIBLOC® 2.ST8 size 2 400A, 690VAC bottom fitting, quadruple pole

Catalog number	Item number	Poles	Cable termination components	Design	Package	Weight
1.001.688	J1023071	4	8 M10 terminal screws	-	1 piece	5.04 kg
1.002.379	Y1002131	4	8 M10 terminal screws	with ready fitted special solid link as neutral conductor in pole 4 for leading and lagging switching	1 piece	5.26 kg

MERSEN reserves the right to change, update or correct, without notice, any information contained in this datasheet.

MULTIBLOC® 2.ST8

Size 2, 400A, 690VAC, Design for Bottom Fitting, 3-,4-pole

TECHNICAL DATA IN ACCORDANCE WITH EN / IEC 60947

	2.ST8 triple pole	2.ST8 quadruple pole
Number of poles/phases	3	4
Size	2	2
Conventional free air thermal current with NH-fuse links I_{th}	400 A	400 A
Max. power dissipation of fuse links P_n	34 W	34 W
Conventional free air thermal current with solid links I_{th}	630 A	630 A
Max. power dissipation of solid links P_n	9 W	9 W
Utilization category to IEC/EN 60947-3 $U_e = AC 400 V; I_e = 400 A$ $U_e = AC 500 V; I_e = 400 A$ $U_e = AC 690 V; I_e = 315 A$ $U_e = DC 440 V; I_e = 400 A$	AC 23 B AC 22 B AC 21 B DC 21 B	AC 23 B AC 22 B AC 21 B -
Rated operational voltage U_e	690 V	690 V
Rated insulation voltage U_i	1000 V	1000 V
Rated impulse withstand voltage U_{imp}	12 kV	12 kV
Rated frequency	50 ... 60 Hz	50 ... 60 Hz
Degree of protection	IP 20	IP 20
Degree of pollution	3	3
Rated duty	uninterrupted duty	uninterrupted duty
Rated conditional short-circuit current with fuse links $U_e = AC 400 V; I_e = 400 A$ $U_e = AC 500 V; I_e = 400 A$ $U_e = AC 690 V; I_e = 315 A$	80 kA 80 kA 80 kA	80 kA 80 kA 50 kA
Rated short circuit making capacity with solid links I_{cm}	10.6 kA _{sw}	10.6 kA _{sw}
Rated short-time withstand current I_{cw}	13 kA / 1 s	13 kA / 1 s
Power dissipation by I_{th} without NH-fuse links	27 W	27 W
Power dissipation by I_{th} 630A without solid links	67 W	67 W
Installation mode	bottom fitting	bottom fitting
Cable terminal connection		
Standard cable terminal	M10	M10
for cable lugs Cu max.	2 x 185 mm ²	2 x 185 mm ²
for cable lugs Al max.	2 x 240 mm ²	2 x 240 mm ²
for copper bars with max. dimensions	35 x 10 mm	35 x 10 mm

MERSEN reserves the right to change, update or correct, without notice, any information contained in this datasheet.

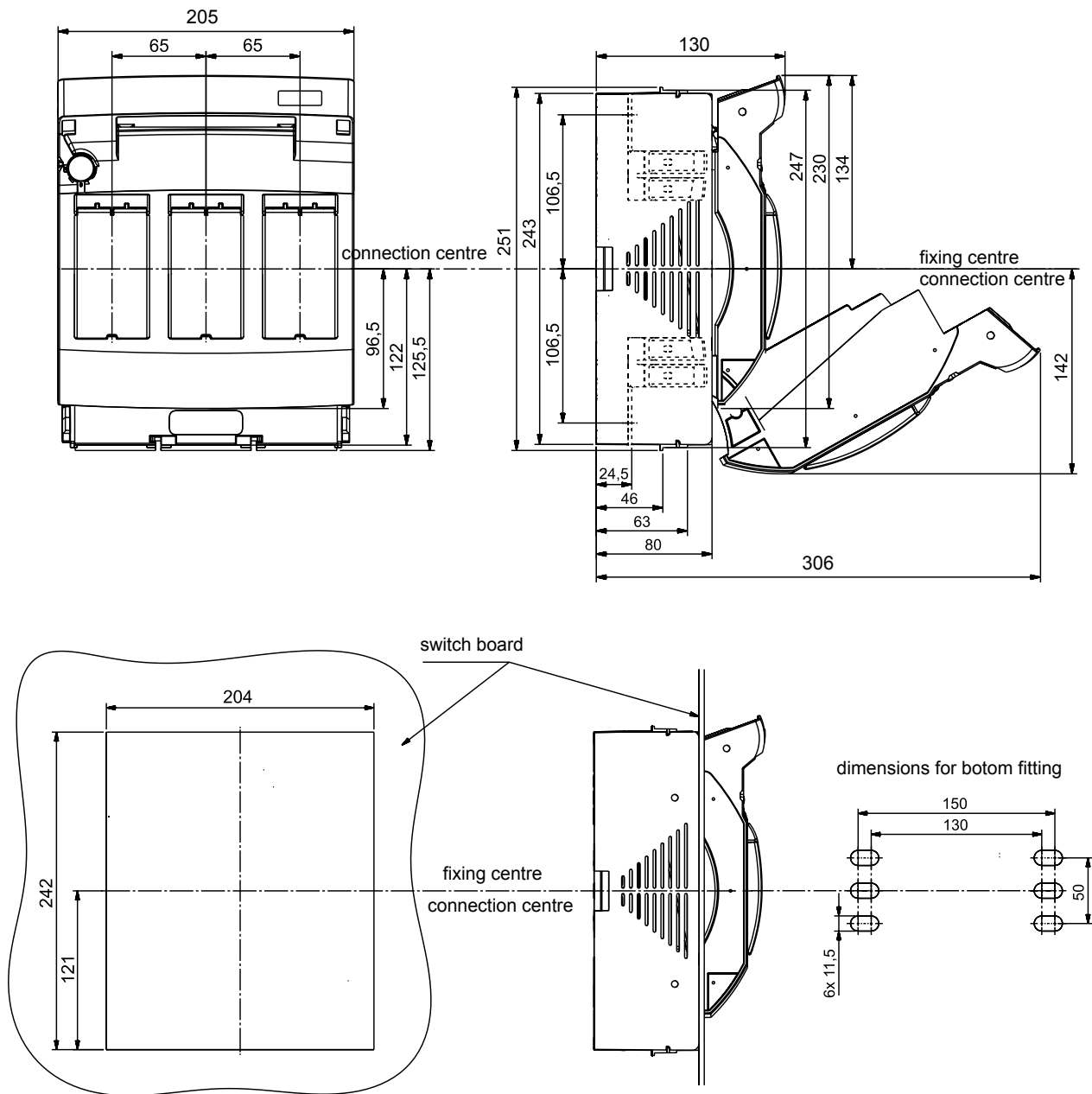
MULTIBLOC® 2.ST8

Size 2, 400A, 690VAC, Design for Bottom Fitting, 3-,4-pole

DIMENSIONS

MULTIBLOC® 2.ST8 NH-fuse switch disconnecter
triple pole design for bottom fitting

(M01131)



Dimensions in mm

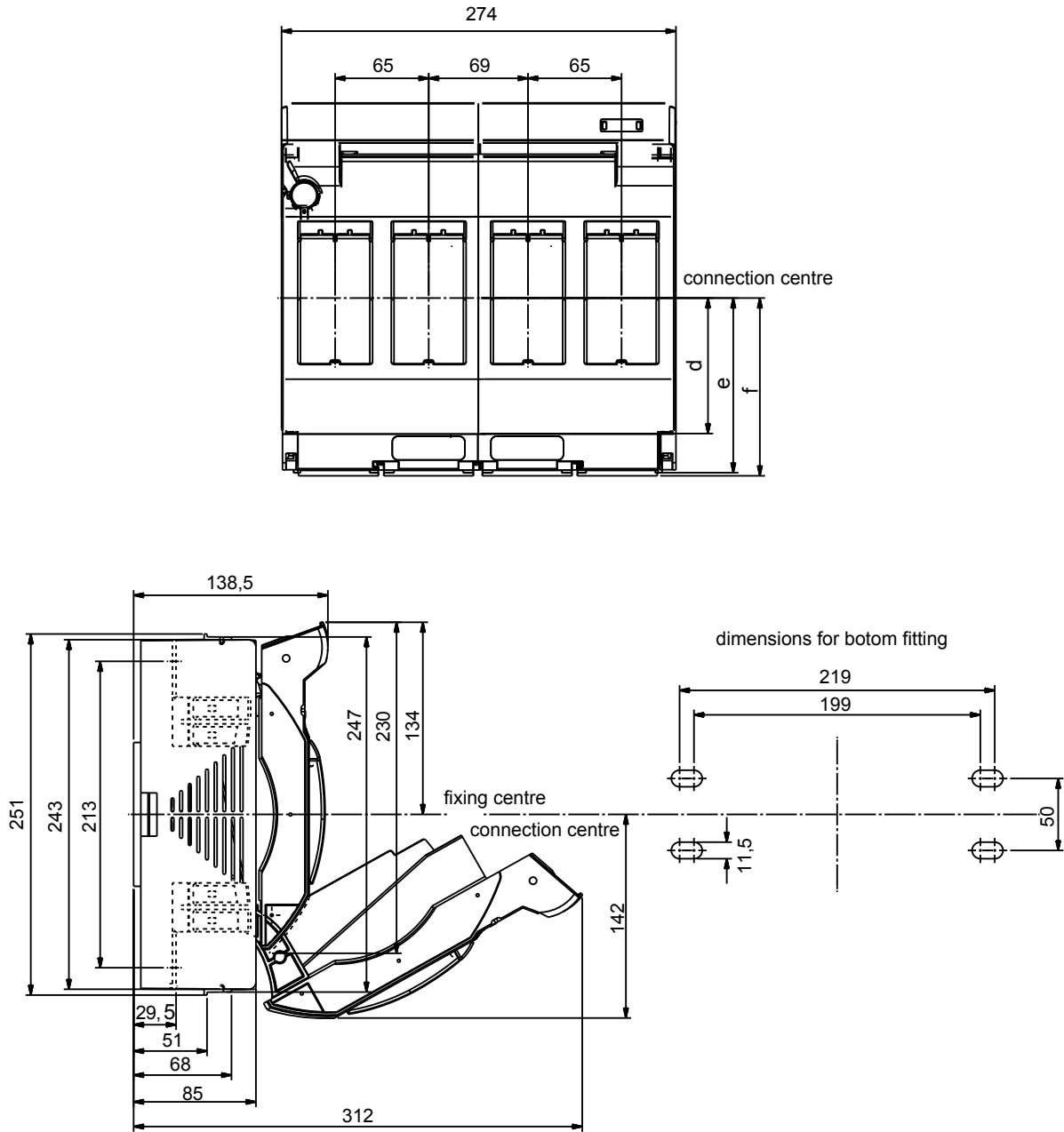
MERSEN reserves the right to change, update or correct, without notice, any information contained in this datasheet.

MULTIBLOC® 2.ST8

Size 2, 400A, 690VAC, Design for Bottom Fitting, 3-,4-pole

DIMENSIONS

MULTIBLOC® 2.ST8 NH-fuse switch disconnecter
quadruple pole design for bottom fitting (M01157-2)



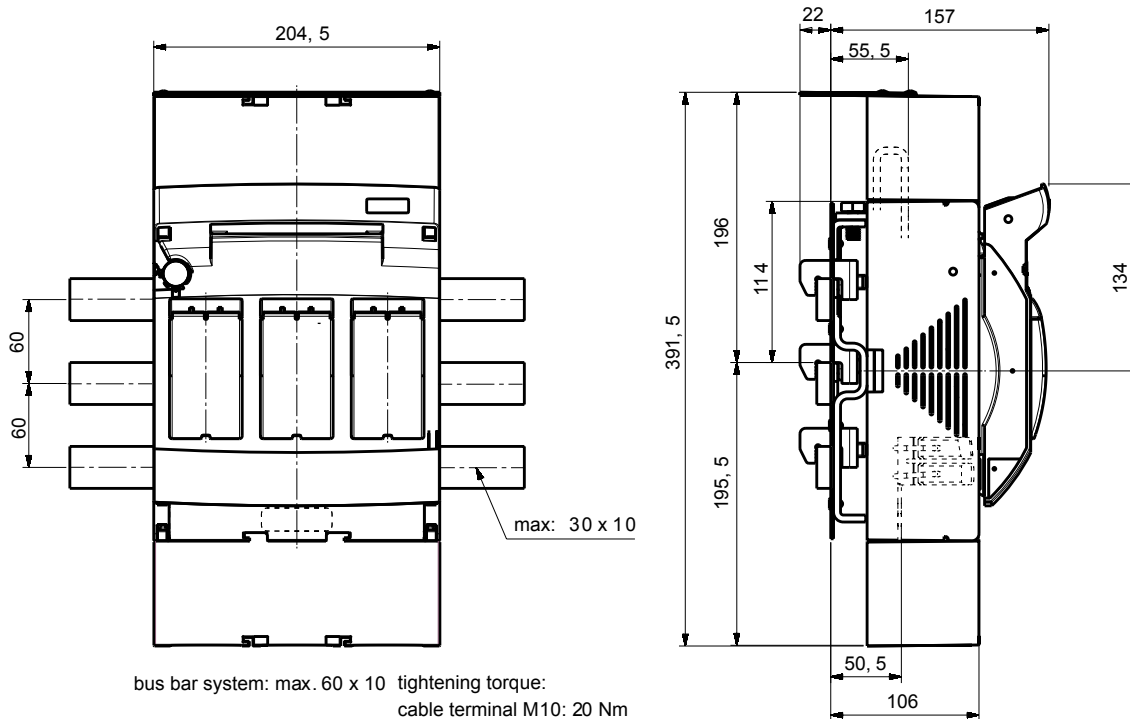
Dimensions in mm

MULTIBLOC® 2.ST8

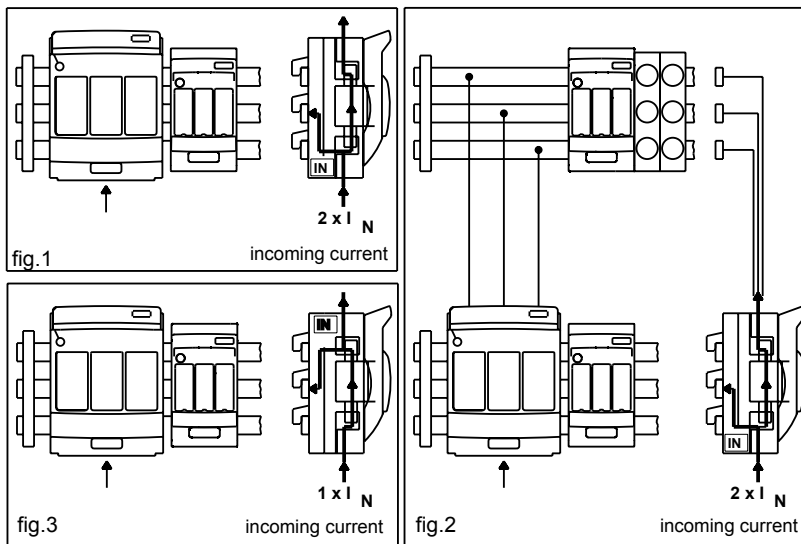
Size 2, 400A, 690VAC, Design for Bottom Fitting, 3-,4-pole

DIMENSIONS

MULTIBLOC® main incomer size 2 (M01167-2)



bus bar system: max. 60 x 10 tightening torque:
 cable terminal M10: 20 Nm
 bus bar terminal: hexagon screw: M10: 15 Nm



Dimensions in mm

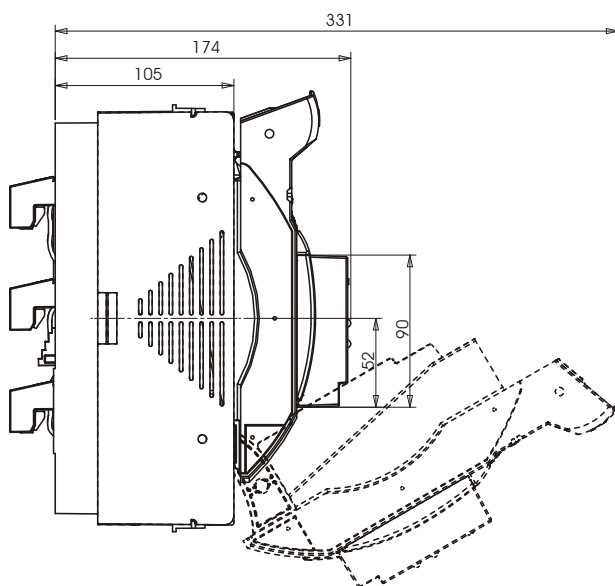
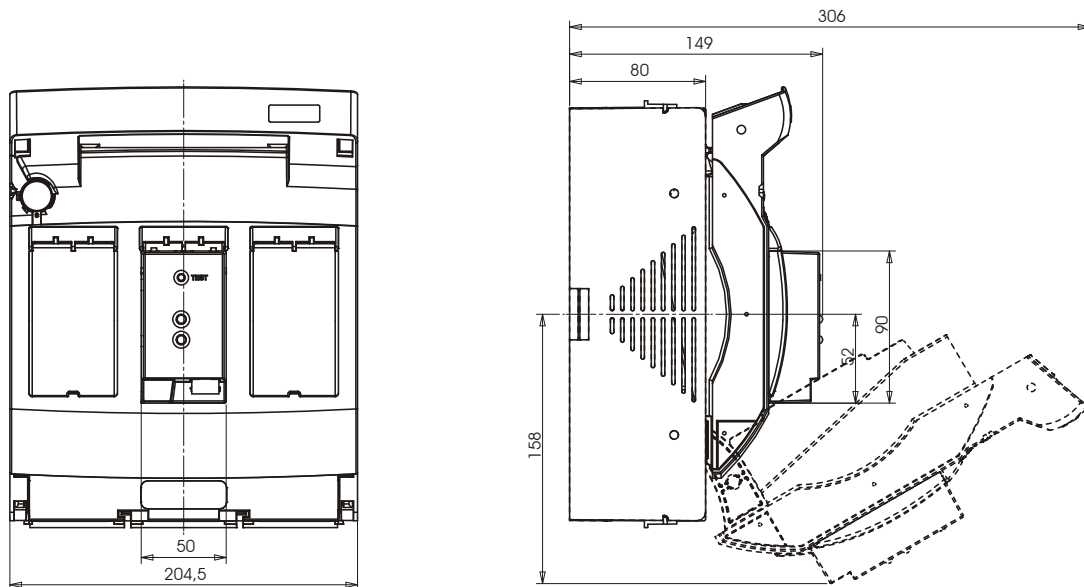
MULTIBLOC® 2.ST8

Size 2, 400A, 690VAC, Design for Bottom Fitting, 3-,4-pole

DIMENSIONS

MULTIBLOC® 2.ST8 and 2.RST8

triple pole with electronic fuse monitoring ESÜ (M01174-2)



Dimensions in mm

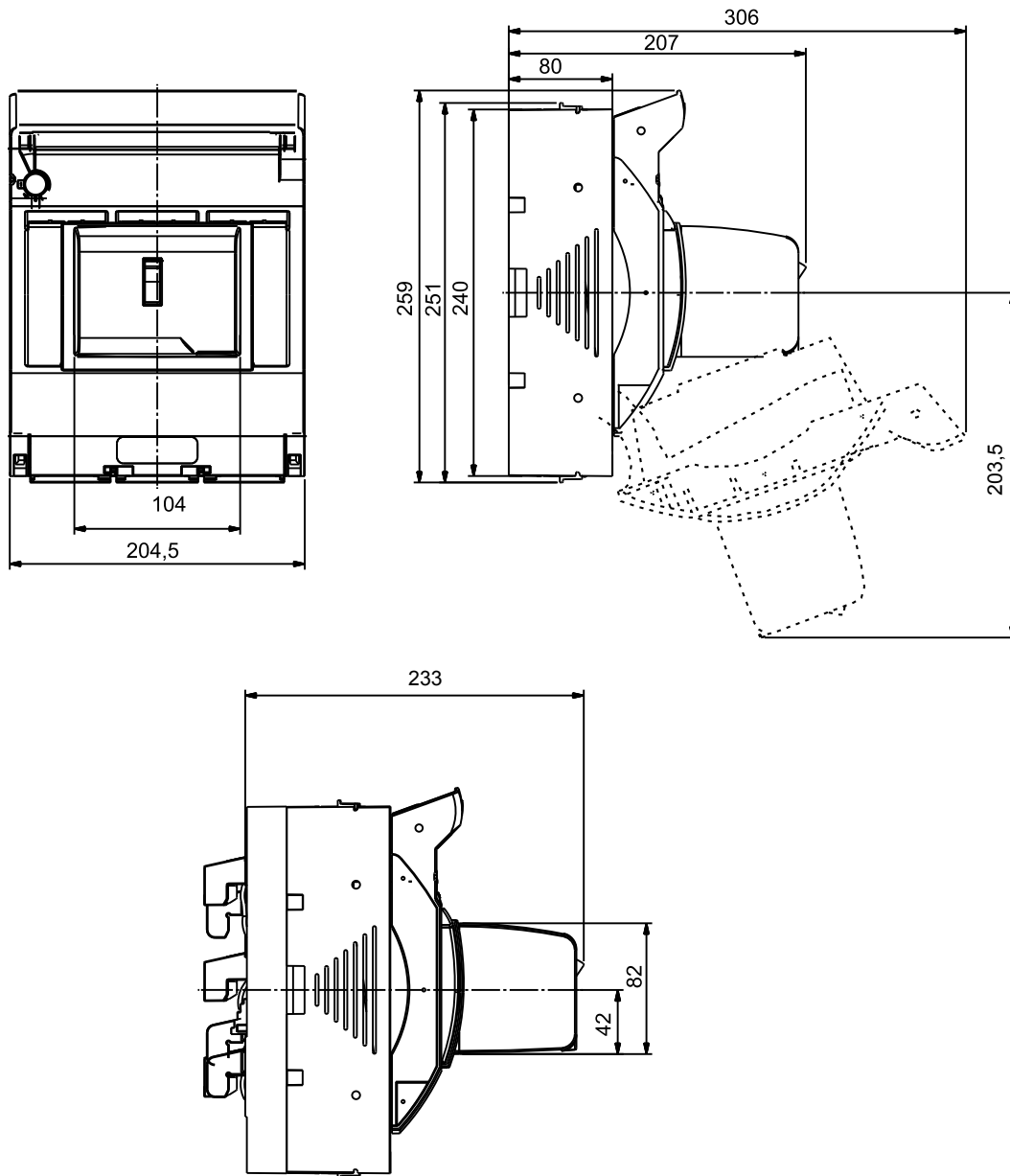
MULTIBLOC® 2.ST8

Size 2, 400A, 690VAC, Design for Bottom Fitting, 3-,4-pole

DIMENSIONS

MULTIBLOC® 2.ST8 and 2.RST8

triple pole with electro-mechanic fuse monitoring MZS (M01135-2)



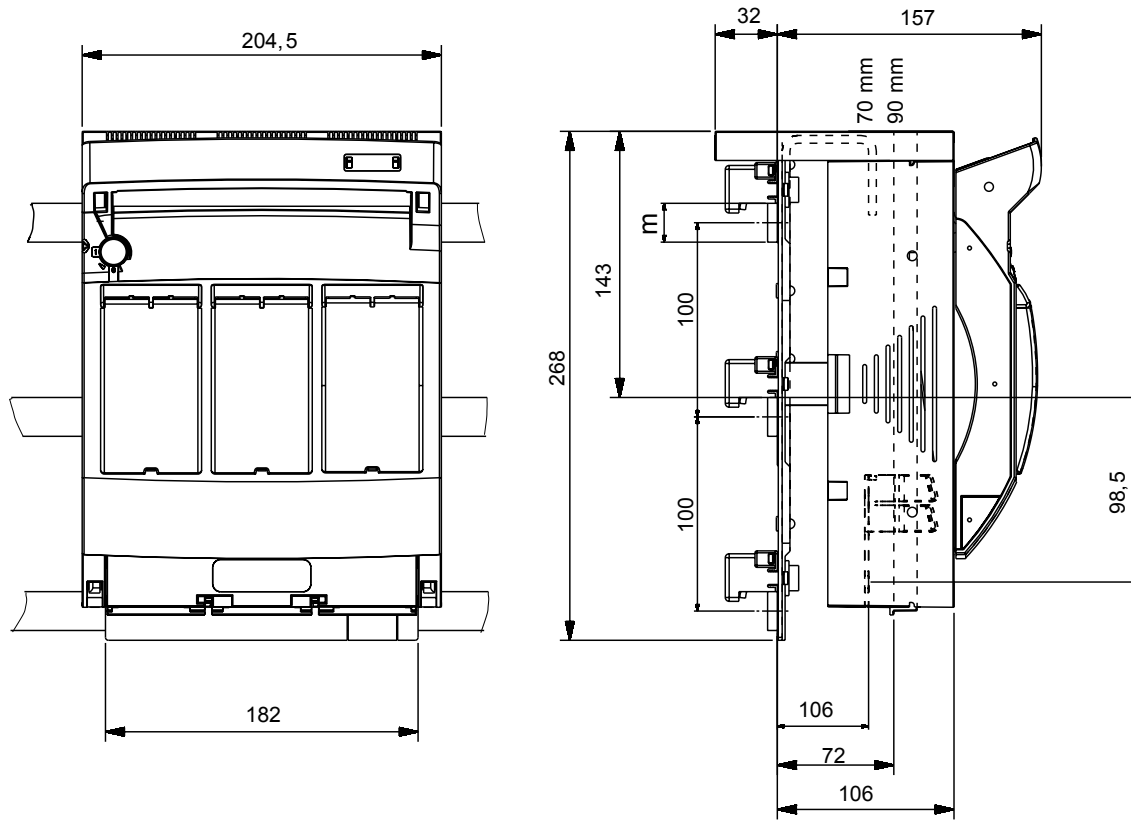
Dimensions in mm

MULTIBLOC® 2.ST8

Size 2, 400A, 690VAC, Design for Bottom Fitting, 3-,4-pole

DIMENSIONS

MULTIBLOC® bus bar adapter
with clamp terminal for 2.ST8 (M01151a-2)



m = max. 60 x 10

tightening torque: M10: 25 Nm
M8: 15 Nm

Dimensions in mm

MERSEN reserves the right to change, update or correct, without notice, any information contained in this datasheet.

MULTIBLOC® 2.ST8

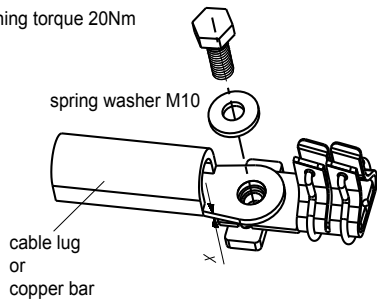
Size 2, 400A, 690VAC, Design for Bottom Fitting, 3-,4-pole

DIMENSIONS

Cable termination size 2 (MA 98e-2)

screw terminal:
(standard)

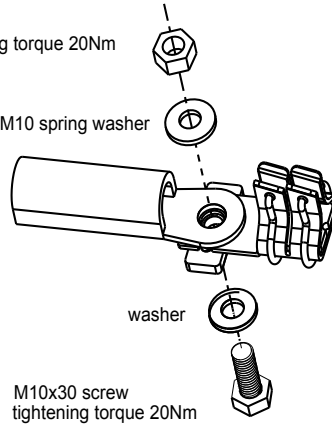
M10x20 screw
tightening torque 20Nm



bolt terminal:
(standard)

M10 nut
tightening torque 20Nm

M10 spring washer

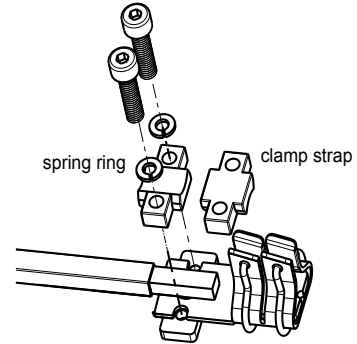


washer

M10x30 screw
tightening torque 20Nm

terminal: clamp strap
(option/accessory)

size.2: M8x35 screw
tightening torque 8Nm



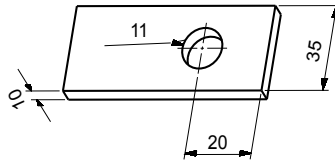
spring ring

clamp strap

screw and bolt terminal for

size. 2:	DIN 46234 max. 240mm ²
	DIN 46235 max. 185mm ²
	DIN 46329 max. 240mm ²

copper bars:



size. 2: for round stranded conductors 120 x 24C
for bars or laminated copper 21 x 3-14

Dimensions in mm

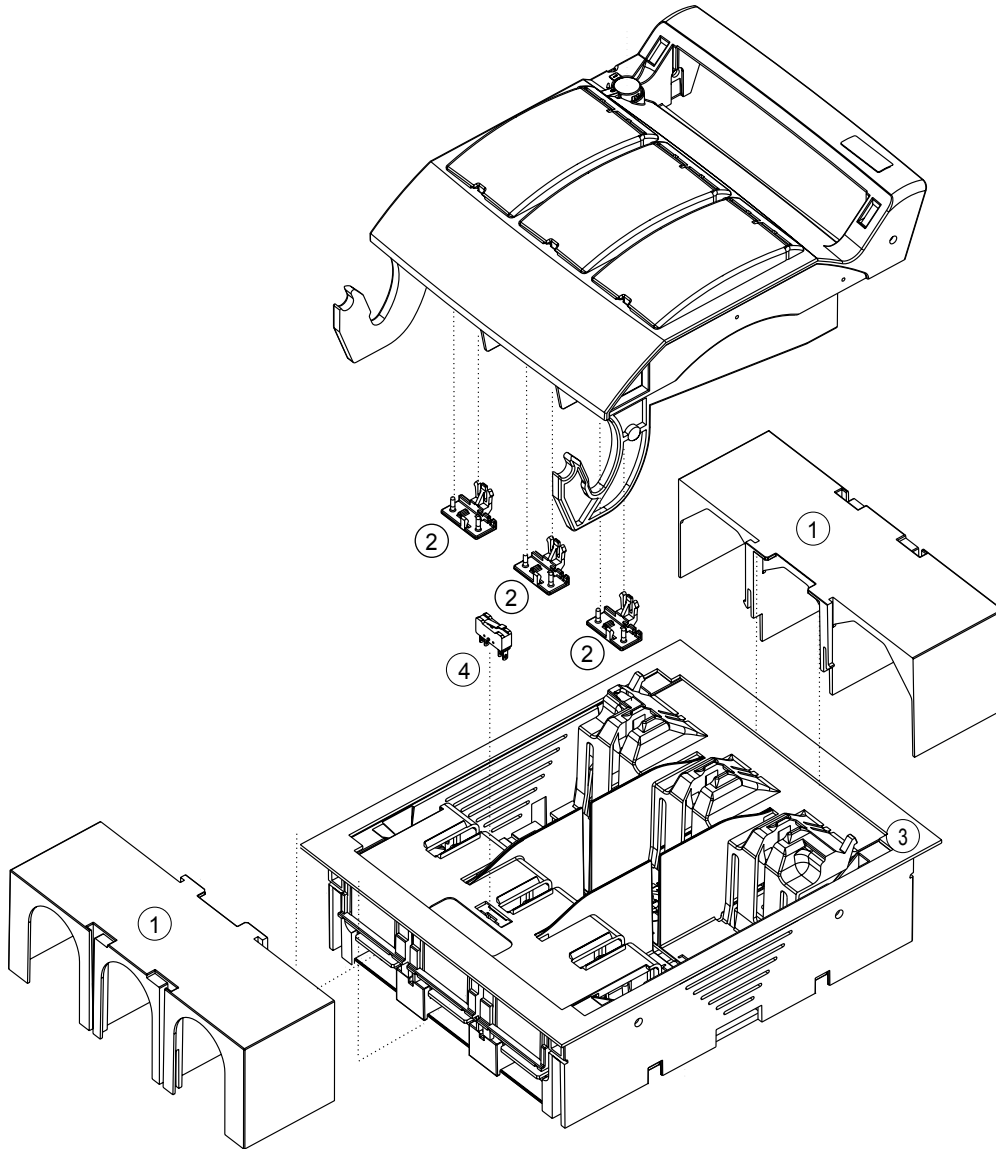
MULTIBLOC® 2.ST8

Size 2, 400A, 690VAC, Design for Bottom Fitting, 3-,4-pole

EXPLODED SKETCH

MULTIBLOC® 2.ST8 NH- fuse switch disconnecter
triple pole design for bottom fitting

(E 1.000.595)



no.	articlenumber	short Description
1	1.000.861	Cover for cable termination, set = 2 pcs.
2	1.000.150	Locking device f. windows, 1 Set=3 pieces
3	1.000.863	Cover shield 230 x 300 mm
4	1.000.852	indicator for switch door position

MULTIBLOC® 2.ST8

Size 2, 400A, 690VAC, Design for Bottom Fitting, 3-,4-pole

ACCESSORIES

Cover shields

Catalog number	Item number	Design	Package	Weight
1.000.863	V1002174	cover shield for installation in distribution units size (width x height): 230 x 300 mm for one 2.ST8/2.RST8 triple pole	1 piece	0.10 kg
1.002.352	Y1022969	cover shield for installation in distribution units size (width x height): 234 x 310 mm for one 2.ST8/2.RST8 triple pole	1 piece	0.11 kg



1.003.255



1.002.593

Cover/shrouds for cable termination

Catalog number	Item number	Design	Package	Weight
1.003.255	K1022980	cover for cable terminal connection for 2.ST8 quadruple pole	1 piece	0.16 kg
1.000.861	N1002168	cover for cable terminal connection for 2.ST8 triple pole, 1 set = 2 pieces	1 set	0.31 kg
1.002.593	J1023439	bus bar touch protection for bus bar adapter size 2, 1 set = 2 pieces	1 set	0.26 kg



1.002.502

Adapter für installation on to bus bars with clamp terminal

Catalog number	Item number	Design	Package	Weight
1.002.502	C1023111	bus bar adapter size 2 with clamp terminal for MULTIBLOC® 2.ST8 triple pole for bus bar system 100 mm	1 piece	1.25 kg



1.000.852

Indication facilities

Catalog number	Item number	Design	Package	Weight
1.000.852	Q1002285	indicator for switch door position micro switch, 1 change-over contact 5 A, 250 V	1 piece	90 g

MERSEN reserves the right to change, update or correct, without notice, any information contained in this datasheet.

MULTIBLOC® 2.ST8

Size 2, 400A, 690VAC, Design for Bottom Fitting, 3-,4-pole

ACCESSORIES



1.000.150

Locking and sealing devices/locking device for window

Catalog number	Item number	Design	Package	Weight
1.000.150	K229296	locking device for window for 00.ST8 1-, 2-, 4-pole and 1./2.ST8/RST8 1 set = 3 pieces	1 set	20 g

Varieties of cable termination

Catalog number	Item number	Design	Package	Weight
1.001.237	B1002180	clamp strap size 2 120–240 mm ² , 1 set = 3 pieces	1 set	0.26 kg
13SZAV6	K1023118	V-terminal size 1,2,3; M12, for V-terminal clamps size 1,2,3 for MULTIBLOC® size 2 supplementary set for V-terminal with use of V-clamps 1 set = 3 pieces	1 set	0.27 kg
13SZAD6	A1022971	M12 terminal lugs for M12 double terminal for MULTIBLOC® size 2 and 3 1 set = 3 pieces	1 set	0.26 kg

MERSEN reserves the right to change, update or correct, without notice, any information contained in this datasheet.