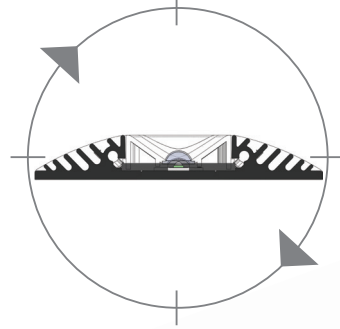


■ POWERLUX™ (SI3)

- High output CREE LEDs
- Multi-voltage (10-32V)
- Low energy, long life
- PIR option (24V only)
- Waterproof to IP67

Internal View

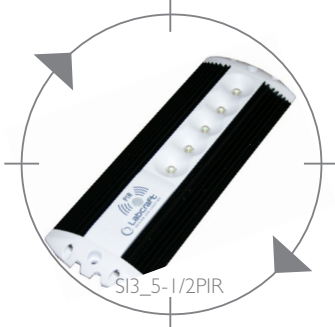
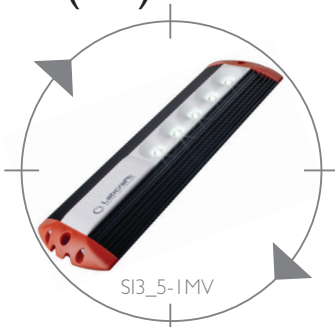


|| See technical specs overleaf >>>

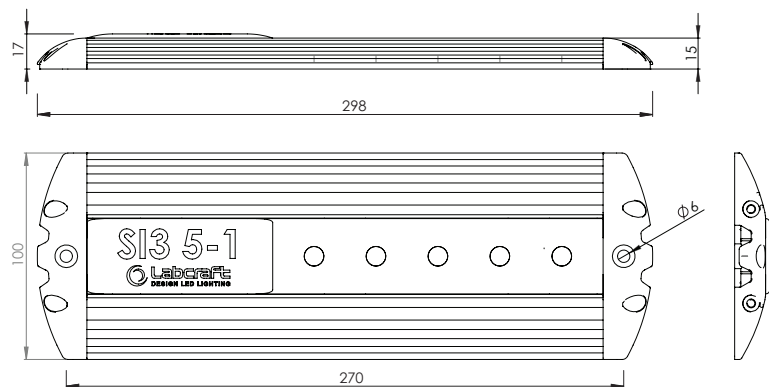
REV C



POWERLUX™ (SI3)



- High output CREE LEDs- This technology produces a clean white light and creates a safe working environment. The Powerlux will comfortably provide you with 20 Lux - the minimum suggested level for lighting in the work place.
- Low energy, long life - LED technology uses 70% less energy than halogen bulbs and lasts 50 times longer, saving on maintenance costs and vehicle downtime.
- Multi-voltage (10-32V) - Engineered to suit a broad range of vehicles and their voltages, the circuitry can withstand changes in voltage and will provide a constant light output.
- PIR option - The PIR Powerlux (SI3_5-1/2PIR) is available in a 24VDC version. It senses movement and will turn off after 7 mins, ensuring that energy isn't wasted and therefore increasing battery life.
- Waterproof to IP67 - The Powerlux (excluding PIR) is suitable for installation in a variety of environments, including refrigerated vehicles.



Specification

ALL DIMENSIONS HAVE A TOLERANCE OF +/- 1mm

POWERLUX™
(SI3)

		SI3_5-1 MV	SI3_5-3 MV	SI3_5-1/2 PIR
Voltage Range	VDC	10-32	10-32	20-28
Average Current	A	12V = 0.67 24V = 0.32	12V = 1.25 24V = 0.6	0.37
Light Output	lm	671	1068	671
LED Power	W	5 x 1.4W = 7W	5 x 2.5W = 12.5W	5 x 1.4W = 7W
Weight	kg	0.44	0.44	0.45
Temp. Range	°C	-30 to +40	-30 to +40	-30 to +40