

FLATGRID PRO

PRODUCT SHEET

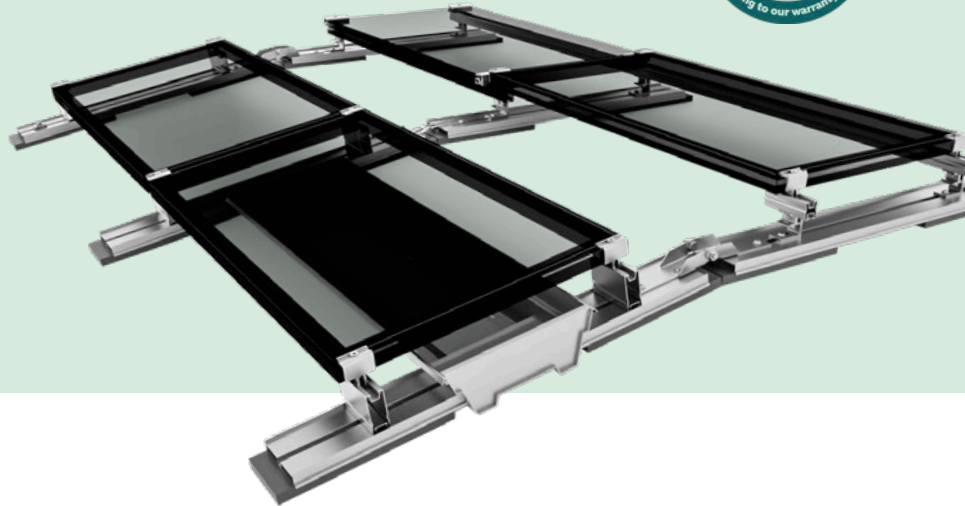


Parallel-mounted system for flat roofs inclined $< 10^\circ$

Mounting with integrated roof surface protection and no roof penetrations

Designed with lower ballast

Modular system assembled with only a few tools



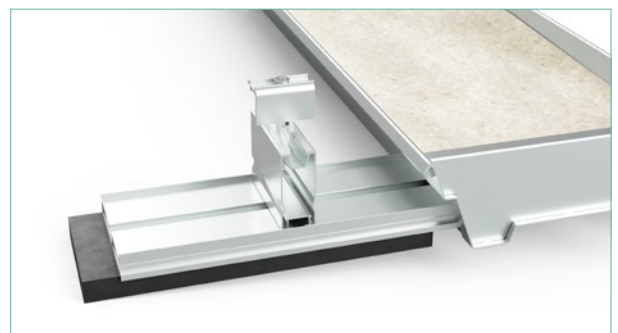
MORE POSSIBILITIES WITH FEWER COMPONENTS

FlatGrid Pro is a cost-effective system for flat roofs with up to 10° roof slope. It is designed for mounting modules parallel to the roof without roof penetrations.

FlatGrid Pro is mounted on base rails, which also hold the ballast. Additional ballast may be required, especially for edge and corner zones, and can be placed into extra ballast trays. Building protection mats attached to the base rails are situated beneath the module supports. The Rapid Pro L-Bracket enables height adjustment up to 30 mm on uneven roofs. The module-bearing rails can also be attached anywhere on the base rail.



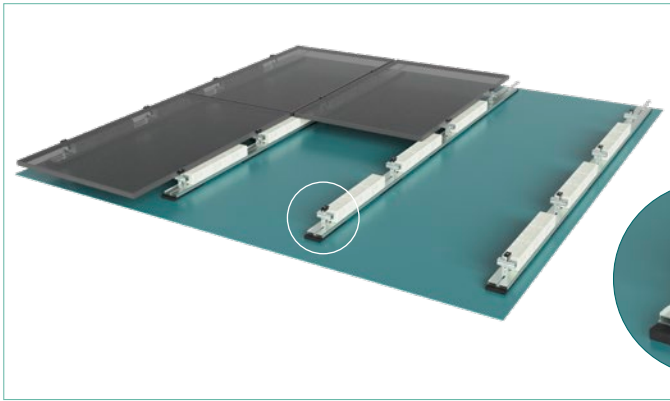
FlatGrid Pro with Rapid Pro L-Bracket



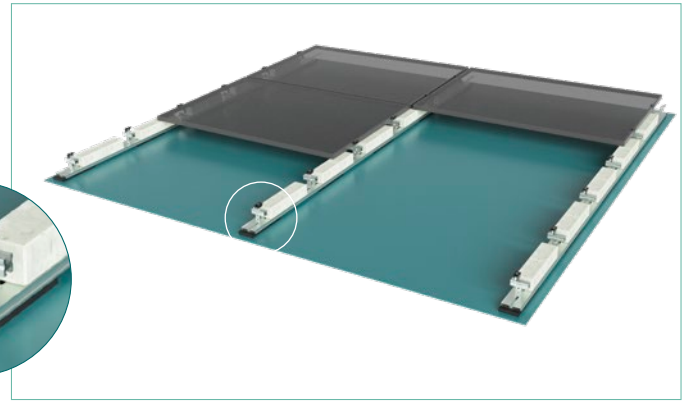
FlatGrid Pro with Pro70 Twist-in Module Support

FLATGRID PRO

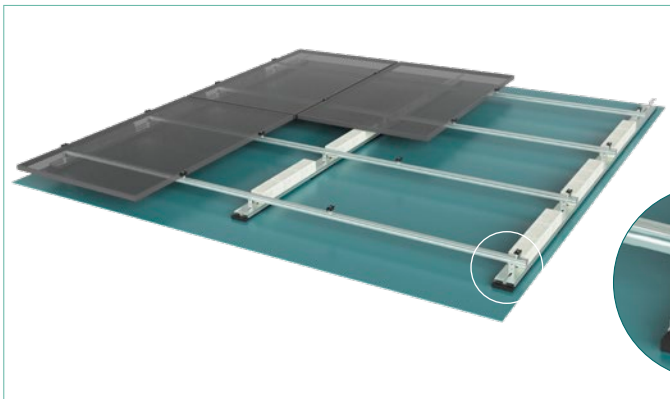
FLEXIBILITY THAT OFFERS VARIOUS ASSEMBLY OPTIONS



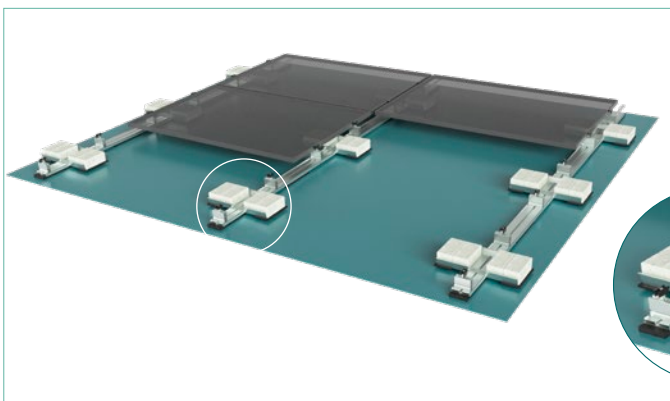
Portrait alignment to base rails with long-side clamping



Landscape alignment to base rails with short-side clamping



Mounting on continuous Pro Module-bearing Rails
Connection using Rapid Pro L-Bracket
Ballast on base rails



Landscape alignment to base rails
Mounting on Pro70 Twist-in Module Supports
Ballast on short ballast trays



FLATGRID PRO



Ridge Connector and Tension Connector

CONNECTORS FOR A SECURE HOLD

FlatGrid Pro must be fixed against sliding on roofs with a slope of 5° or more. This can be done either with a tension connector or a ridge connector when the system is installed on either side of a gabled roof and the arrays offer counterweight to one another. Alternatively, suitable anchor points like load-bearing skylights, purlins, or trusses as on mono-sloped roofs can also be used.

The structural suitability and resultant surface pressure on the existing roof surface and insulation must always be checked beforehand. Please refer to the FlatGrid Pro Installation Instructions for further information

TECHNICAL DETAILS

Scope of application	Parallel-mounted flat roof ballasted system (no roof penetration)
Material	<ul style="list-style-type: none">• System components: Alu EN AW 6063• Surface protection mat: rubber granulate with aluminium lamination• Connectors: Stainless Steel 1.4301 or higher quality grade
Planning aid	Configuration and design report via the Schletter Configurator
Structural design	Structural calculation based on current recognised rules of technology Structural verification of the mounting system is based on the relevant Eurocodes in conjunction with general building inspectorate approvals. The load assumptions comply with DIN EN 1991-1 and the regulations of the national annex. Verification of roofing and building is not included Notes in the verification must be observed
Warranty	25 years according to our Guarantee Terms and Conditions
Supplementary documents	FlatGrid Pro Installation Instructions Product Catalogue - Ballast-optimised Flat Roof Systems



FLATGRID PRO

PARTS LIST

165001-xxxxx	Pro Base Rail (various lengths)	PU: 1
169004-xxx	Surface protection mat (various options)	PU: 25
119026-122	Rapid Pro L-Bracket	PU: 100
120022-000	Pro70 Twist-in Module Support	PU: 100

► **PLEASE NOTE:**
For further information on parts please refer to the Product Catalogue

SUPPLEMENTARY PARTS (to be ordered separately)

129200-001	Pro Base Rail Connector	PU: 70
129062-021	Tesnion Connector	PU: 100
129061-001	Ridge Connector	PU: 50
169017-000	Short Ballast Tray	PU: 50
165002-0xxxx	Pro Composite Ballast Rail	PU: 1

