

Well Probe

Mechanically Activated Device for Dry Run Protection in Applications with LORENTZ Solar Pump Systems

The switch can be used to detect the water level within a well. When the water level in the well dropped below the level of the well probe, the LORENTZ Controller will stop the pump and indicates Source Low LED.

FEATURES

- Reliable dry run protection
- Simple to install
- Trouble free operation
- Corrosion-free
- Splicing kit included

TECHNICAL DATA

- Max. operating temperature 55 °C
- Enclosure class: IP68
Submersion depth: max 50 m
- Cable length: 1.5m
- Wire size: 2x 0.75mm² or AWG 19, waterproofed
- Mounted in vertical position

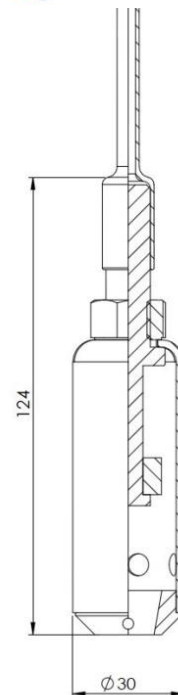
STANDARDS

- Meets the requirements for CE



DIMENSION/WEIGHT

- Packaging dimensions: 260 x 170 x 40 mm
10.3in x 6.7in x 1.6in
- Total weight: 0.1kg / 0.2lbs



Float Switch

Mechanically Activated Device for Water Level Detection in Applications with LORENTZ Solar Pump Systems

The switch can be used to detect the water level within a tank. When the water level in the tank reaches the maximum, the LORENTZ Controller will stop the pump and indicates Tank Full LED.

FEATURES

- Reliable water level detection
- Simple to install
- Trouble free operation
- Not sensitive to rotation
- Corrosion-free
- Three wires for normally open and normally closed application

TECHNICAL DATA

- Operating temperature: -10°C to 55°C
- Storage temperature: : -10°C to 55°C
- Enclosure class: IP68
- Cable length: 3m, waterproof
- Wire size: 3x 1.0mm² or AWG 18

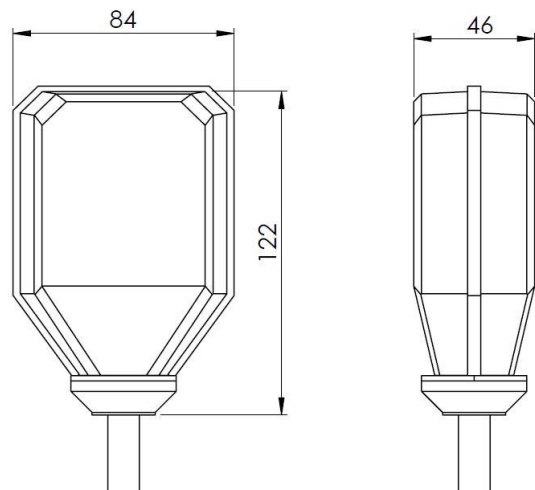
STANDARDS

- Meets the requirements for CE



DIMENSION/WEIGHT

- Packaging dimensions: 230 x 160 x 55 mm
9.1in x 6.3in x 2.2in
- Total weight: 0.8kg / 1.8lbs



Pressure Switch

Device for Water Pressure Detection in Applications with LORENTZ Solar Pump Systems

The switch can be used to detect the water level within a tank. When the water level in the tank reaches the maximum, the pressure will increase and the LORENTZ Controller will stop the pump and indicates Tank Full LED.

FEATURES

- Reliable water pressure detection
- Simple to install
- Trouble free operation
- Corrosion-free

TECHNICAL DATA

- Pressure range between 1 and 5 bar

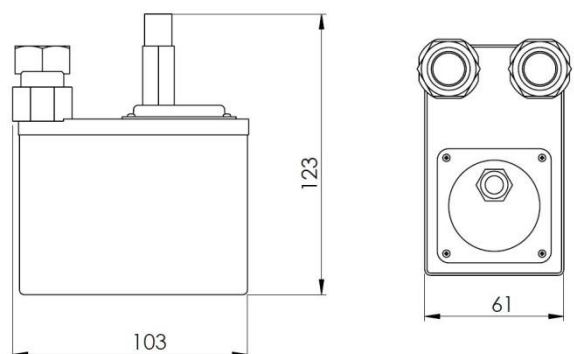
Connections

- 2x cable gland \varnothing 5-9mm
- G 1/4" pipe thread



STANDARDS

- Meets the requirements for CE



DIMENSION/WEIGHT

- Packaging dimensions: 130 x 105 x 65 mm
5.1in x 4.2in x 2.6in
- Total weight: 0.45kg / 1lbs

BERNT LORENTZ GmbH & Co. KG
Kroegerskoppel 7, 24558 Henstedt-Ulzburg, Germany,
Tel +49 (0)4193 7548-0, Fax -29, www.lorentz.de

Sun. Water. Life.

All specifications and information are given with good intent, errors are possible and products may be subject to change without notice. Pictures may differ from actual products depending on local market requirements and regulations.

PP600H AC PowerPack

AC/DC Converter to Power PS 600 and PS 1200HR Pump Systems from a Generator or Utility Power

TECHNICAL DATA

- AC input: 120V or 240V ($\pm 15\%$), selectable, 47 to 63Hz
- AC input current: 6.2A (120V) or 3.1A (240V)
- PV input voltage: V_{mp} : 130V DC, depending on pump controller max. voltages
- PV max open circuit voltage: 200V DC depending on pump controller max. voltages
- DC output: 120V DC (no load), 700W
- Overload protection: internal fuse, 15A
- Enclosure: steel, gasket-sealed, indoor-use, hinged front cover with key-lock
- Must be protected from direct mid-day sun
- IP22
- Ambient temperature: max. 45°C



Wire Size

- All wires must be #14 AWG (2.5 mm²) or larger

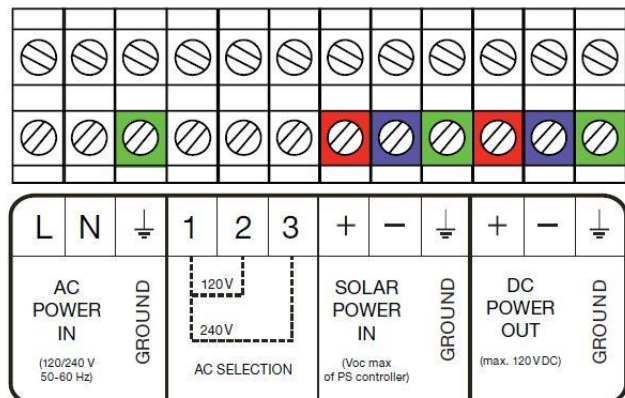
STANDARDS

- Meets the requirements for CE



DIMENSION/WEIGHT

- 450mm x 300mm x 140mm
17.7in x 11.8in x 5.5in
- Weight: 16kg / 35lbs



PP2000 AC Power Pack

AC/DC Converter to Power PS 1200 and PS 1800 Pump Systems from a Generator or Utility Power

TECHNICAL DATA

- AC input: 240V ($\pm 15\%$), 47 to 63Hz
- AC input current: 6.2A
- PV input voltage: V_{mp} : 110V - 140V DC, depending on pump controller max. voltages
- PV max open circuit voltage: 200V DC depending on pump controller max. voltages
- DC output max.: 180V DC, 1,500W
- Overload protection: internal fuse, 15A
- Enclosure: steel, gasket-sealed, indoor-use, hinged front cover with key-lock
- Must be protected from direct mid-day sun
- IP22
- Ambient temperature: max. 45°C



Wire Size

- All wires must be #14 AWG (2.5 mm²) or larger

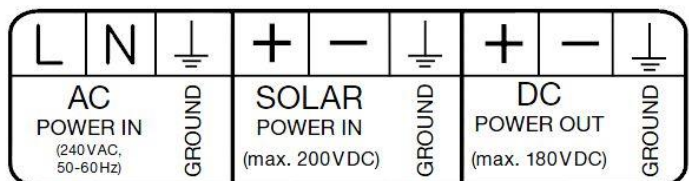
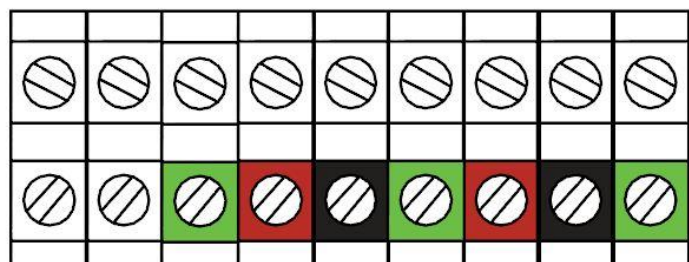
STANDARDS

- Meets the requirements for CE



DIMENSION/WEIGHT

- 450mm x 300mm x 140mm
17.7in x 11.8in x 5.5in
- Weight: 23.5kg / 52lbs



PP4000 AC PowerPack

AC/DC Converter to Power PS 4000 Pump Systems from a Generator or Utility Power

TECHNICAL DATA

- 3-Phase AC input: 380V ($\pm 20\%$), 45 to 65Hz
- DC output: 180-286V, 5.7kW
- DC output rated current: 20A @ 230V DC
- Must be protected from direct mid-day sun
- IP42
- Ambient temperature: -5 to 45°C
- Efficiency up to 94%
- Passive cooling, no fan



Wire Size

- All wires must be #14 AWG (2.5 mm^2) or larger

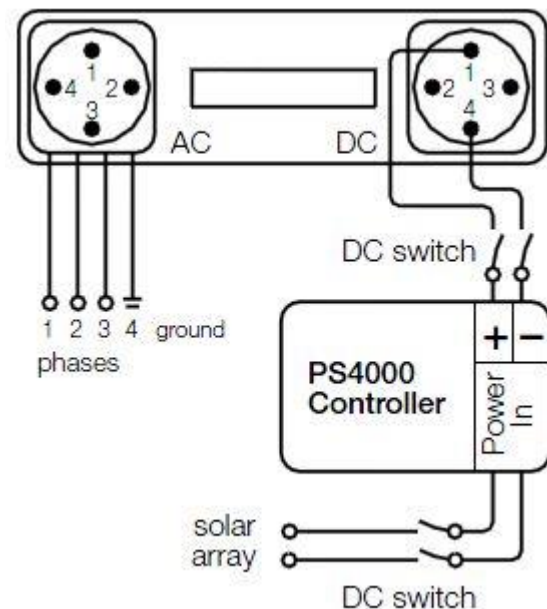
STANDARDS

- Meets the requirements for CE



DIMENSION/WEIGHT

- 332mm x 210mm x 201.8mm
15.7in x 8.7in x 8.3in
- Weight: 14.5kg / 30lbs



PV Disconnect 200V / 20A

PV Disconnect to facilitate an easy Installation for PS 150 until PS 1800

FEATURES

- For quick installation without opening the Controller
- Cable conduit allows proper sealing of controller
- Extends the Controller terminals

TECHNICAL DATA

- 200V DC / 20A
- Flexible conduit 1x 90cm

STANDARDS

- Meets the requirements for CE



DIMENSION/WEIGHT

- 300mm x 300mm x 150mm
11.8in x 11.8in x 5.9in
- Total weight: 6.8kg / 15lbs



PV Disconnect 400V / 20A

PV Disconnect to facilitate an easy Installation for PS 4000

FEATURES

- For quick installation without opening the Controller
- Cable conduit allows proper sealing of controller
- Extends the Controller terminals

TECHNICAL DATA

- 400V DC / 20A
- Flexible conduit 1x 90cm

STANDARDS

- Meets the requirements for CE



DIMENSION/WEIGHT

- 300mm x 300mm x 150mm
11.8in x 11.8in x 5.9in
- Total weight: 6.8kg / 15lbs

